

DISTRIBUTION BOX

HT SERIES - DISTRIBUTION BOX

Panel is the ABS material for the engineering, high strength, never change color, the transparent material is PC.

Cover push-type opening and closing

Face covering of the distribution box adopts the push-type opening and closing mode, the face mask can be opened by pressing lightly, the self-locking positioning hinge structure is provided when opening.

Wiring design of the power distribution box

The guide rail support plate can be lifted to the highest movable point, it is no longer limited by the narrow space when installing the wire. To install easily, the switch of the distribution box is set up with the wire groove and wire pipe exit-holes, which are easy to use for a variety of wire grooves and wire pipes.



Model	Dimensions		
	L(mm)	W (mm)	H (mm)
JG-HT-2P	57	124	70
JG-HT-5P	119	159	90
JG-HT-12P	255	198	108
JG-HT-18P	363	198	108
JG-HT-24P	363	280	108

56CB SERIES MCB BOX

Model	Specification
JG-56CB4N	4 Way Mcb Box With Indicator
JG-56CB8N	8 Way Mcb Box With Indicator
JG-56CB4N A	4 Way Mcb Box With Indicator and 15A 3 Pin Socket
JG-56CB8N A	8 Way Mcb Box With Indicator and 32A 5 Pin Socket

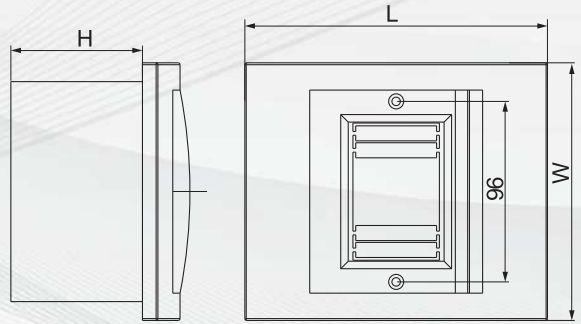


DISTRIBUTION BOX

SH SERIES - MCB DISTRIBUTION BOX

Features

- Humanized circuitry symbols, printed display of control circuit breaker, clear and elegant.
- The guide-rail shoe plate has round hole, it is able to regulate the cover of distribution box to level position.
- The distribution box is able to regulate the height automatically within a certain range from the outer wall.



Concealed mounted

Model	Dimensions		
	L (mm)	W (mm)	H (mm)
JG-SH-2-4	137	161	82
JG-SH-4-6	208	208	95
JG-SH-7-9	261	208	95
JG-SH-10-13	334	208	95



SH NEW SERIES - MCB DISTRIBUTION BOX

Product Name	Waterproof Distribution Board
Cover Material	Plastic(ABS,PS)
Color	White /Clear/Grey/Customized
Application	indoor
Rated Voltage	220V-380V

Model	Dimensions		
	L (mm)	W (mm)	H (mm)
JG-SHP4N	107	212	92
JG-SHP6N	165	200	100
JG-SHP12N	273	230	110
JG-SHP18N	381	230	110
JG-SHP24N	273	380	110



DISTRIBUTION BOX

WATERPROOF SWITCHES & SOCKETS

Model	Specification
JG-1WAY	1 Way Switch IP65
JG-1WAY	1 Way Socket IP65
JG-2 WAY	1 Way Switch With Socket IP65
JG-2 BELL	1 Way Bell Push



INDUSTRIAL CABLE DRUM

Model	Specification
JG-QC2630	Industrial plastic cable reel QC2630 with 16A plug, there two socket and two plug
JG-QC2630	Industrial plastic cable reel QC2630 with 32A plug there two socket and two plug
JG-QC8630A	Industrial empty metal cable reel QC8630A with 16A plug theretwo socket and two plug
JG-QC8230A	Metal cable reel QC8230A wit25mtr H05VV-F 3*1.5sqm pure copper cable
JG-QC8250A	Metal cable reel QC8250A wit 50mtr.H05VV-F 3*1.5sqm pure copper cable
JG-QC8130A	Metal cable reel QC8130Awith 25mtr.H05VV-F 3*1.5sqm pure copper cable
JG-QC8150A	Metal cable reel QC8150A with50mt. H05VV-F 3*1.5sqm pure copper cable
JG-QC3130A-1	Metal cable reel QC3130A-1 with 25m H05VV-F 3*1.5sqm pure copper cable
JG-QC2130-S0	Plastic cable reel QC2130-S0 with 25m H05VV-F 3*1.5sqm pure copper cable
JG-QC2150-S0	Plastic cable reel QC2150-S0 with 50m H05VV-F 3*1.5sqm pure copper cable
JG-QC9130-0R	Plastic cable reel QC9130-0R with 25m H05VV-F 3*1.5sqm pure copper cable
JG-QC9150-0R	Plastic cable reel QC9150-0R with 50m H05VV-F 3*1.5sqm pure copper cable
JG-QC8640A	Industrial empty metal cable reel QC8640A with 32A there two socket and two plug

