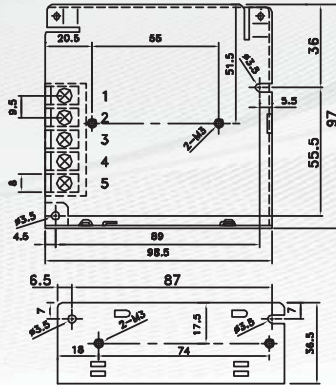


# SWITCHING MODE POWER SUPPLY (SMPS)

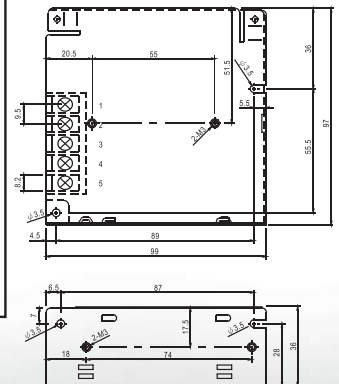
## 15 Watt Series



Model Specification	JG-MS15-5 3A 5VDC SMPS	JG - MS - 15 1.1A 12V DC SMPS
DC Output voltage	5V	12V
Rated output current	3A	1.3A
Output current range	0~3A	0~1.3A
DC output power	15W	15.6W
Efficiency	80%	80%
Input current	0.5A/115V 0.25A/230V	
Temperature coefficient	±0.02%/°C (0~50°C)	
Setup, rise, hold up time	200ms 100ms 30ms	
Withstand voltage	I/P-O/P:1.5KVAC I/P-FG:1.5KVAC O/P-FG:0.5KVAC	
Overall dimension	99X97X35mm (L*W*H)	
Weight	0.23kgS	

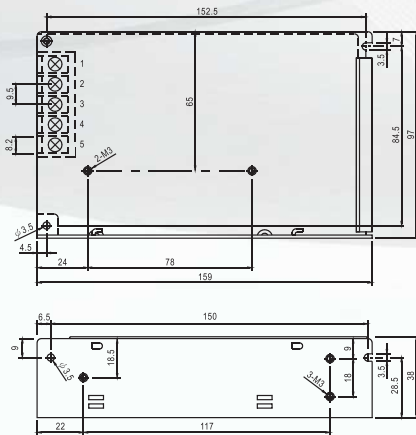
## 25 Watt Series

Model Specification	JG - MS 25-5 5A 5VDC	JG - MS 25 2.1A 12V DC	JG - MS 25 1.1A 24V DC
DC Output voltage	5V	12V	24V
RATED OUTPUT CURRENT	5A	2.1A	1.1A
OUTPUT CURRENT RANGE	0~5A	0~2.1A	0~1.1A
DC output power	25W	25.2W	26.4W
Efficiency	80%	80%	80%
Input current	0.6A/115V 0.35A/230V		
Temperature coefficient	±0.02%/°C (0~50°C)		
Setup, rise, hold up time	800ms, 50ms, 10ms/150VAC 300ms, 50ms, 80ms/230VAC		
Withstand voltage	I/P-O/P:1.5KVAC I/P-FG:1.5KVAC O/P-FG:0.5KVAC		
dimension	99X97X35mm (L*W*H)		
Weight	0.23kgS		



# SWITCHING MODE POWER SUPPLY (SMPS)

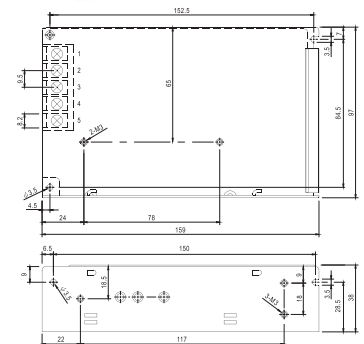
## 50 Watt Series



Model Specification	JG-S50-5 10A 5VDC SMPS	JG - S - 50 2.1A 24V DC SMPS
DC Output voltage	5V	24V
RATED OUTPUT CURRENT	10A	2.1A
OUTPUT CURRENT RANGE	0~10A	0~2.1A
DC output power	50W	50.4W
Efficiency	80%	80%
Input current	1.3A/115V 0.65A/230V	
Temperature coefficient	±0.03%/°C (0~50°C)	
Setup, rise, hold up time	200ms 100ms 30ms	
Withstand voltage	I/P-O/P:1.5KVAC I/P-FG:1.5KVAC O/P-FG:0.5KVAC	
Overall dimension	159X197X38 MM (L*W*H)	
Weight	0.44kgS	

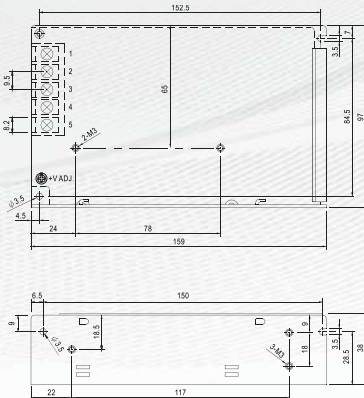
## 60 Watt Series

Model Specification	JG-S60-5 12A 5VDC SMPS	JG - S - 60 5A 12V DC SMPS
DC Output voltage	5V	12V
RATED OUTPUT CURRENT	12A	5A
OUTPUT CURRENT RANGE	0~12A	0~5A
DC output power	60W	60W
Efficiency	73%	78%
Input current	1.3A/115V 0.65A/230V	
Temperature coefficient	±0.03%/°C (0~50°C)	
Setup, rise, hold up time	800ms, 50ms, 10ms/150VAC 300ms, 50ms, 80ms/230VAC	
Withstand voltage	I/P-O/P:1.5KVAC I/P-FG:1.5KVAC O/P-FG:0.5KVAC	
Overall dimension	159X97X38mm (L*W*H)	
Weight	0.44kgS	



# SWITCHING MODE POWER SUPPLY (SMPS)

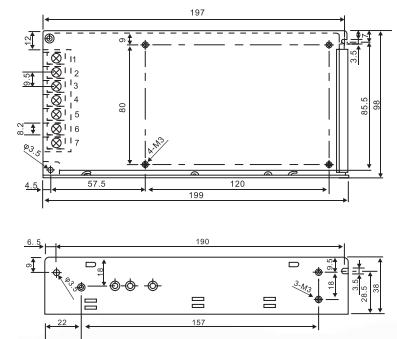
## 75 Watt Series



Model Specification	JG-S75-5 15A 5VDC SMPS	JG - S75 6.5A 12V DC SMPS
DC Output voltage	5V	12V
RATED OUTPUT CURRENT	15A	6.3A
OUTPUT CURRENT RANGE	0~15A	0~6.3A
DC output power	75W	75W
Efficiency	74%	81%
Input current	1.6A/115V 0.8A/230V	
Temperature coefficient	±0.03%/°C (0~50°C)	
Setup, rise, hold up time	200ms 100ms 30ms	
Withstand voltage	I/P-O/P:1.5KVAC I/P-FG:1.5KVAC O/P-FG:0.5KVAC	
Overall dimension	159X97X38MM (L*W*H)	
Weight	0.45kgS	

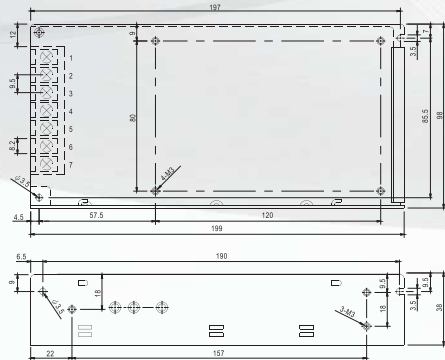
## 120 Watt Series

Model Specification	JG-S120-5 24A 5VDC	JG - S - 120 10A 12V DC	JG - S - 120 5A 24V DC
DC Output voltage	5V	12V	24V
Rated Output Current	22A	10A	5A
Output Current Range	0~22A	0~10A	0~5A
DC output power	110W	120W	120W
Efficiency	76%	80%	83%
Input current	2.4A/115V 1.2A/230V		
Temperature coefficient	±0.03%/°C (0~50°C)		
Setup, rise, hold up time	200ms, 100ms, 30ms		
Withstand voltage	I/P-O/P:1.5KVAC I/P-FG:1.5KVAC O/P-FG:0.5KVAC		
Overall dimension	199X98X38mm (L*W*H)		
Weight	0.57kgS		



# SWITCHING MODE POWER SUPPLY (SMPS)

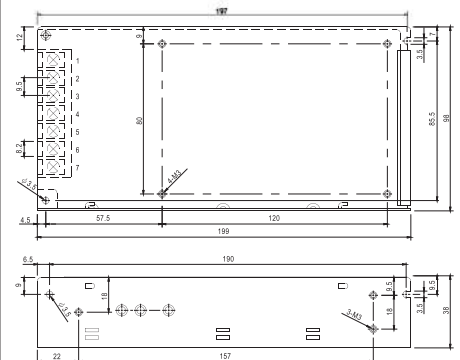
## 145 Watt Series



Model Specification	JG - S - 145 6A 24V DC SMPS
DC Output voltage	24V
RATED OUTPUT CURRENT	6A
OUTPUT CURRENT RANGE	0~6A
DC output power	145W
Efficiency	85%
Input current	3.2A/115V 1.6A/230V
Temperature coefficient	±0.03%/°C (0~50°C)
Setup, rise, hold up time	100ms, 50ms, 20ms
Withstand voltage	I/P-O/P:1.5KVAC I/P-FG:1.5KVAC O/P-FG:0.5KVAC
Overall dimension	199X98X38mm (L*W*H)
Weight	0.65kgS

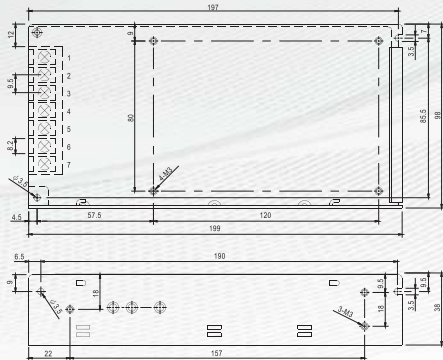
## 150 Watt Series

Model Specification	JG-S150-5 29A 5VDC SMPS	JG - S - 150 6.5A 24V DC SMPS
DC Output voltage	5V	24V
RATED OUTPUT CURRENT	29A	6.5A
OUTPUT CURRENT RANGE	0~29A	0~6.5A
DC output power	150W	156W
Efficiency	80%	85%
Input current	3.2A/115V 1.6A/230V	
Temperature coefficient	±0.03%/°C (0~50°C)	
Setup, rise, hold up time	100ms, 50ms, 20ms	
Withstand voltage	I/P-O/P:1.5KVAC I/P-FG:1.5KVAC O/P-FG:0.5KVAC	
Overall dimension	199X98X38mm (L*W*H)	
Weight	0.65kgS	



# SWITCHING MODE POWER SUPPLY (SMPS)

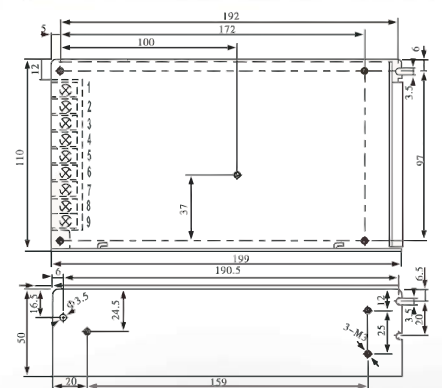
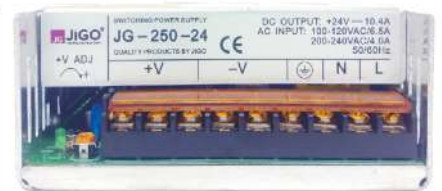
## 240 Watt Series



Model Specification	JG - S-240 20A 12V DC SMPS	JG - S - 250 10A 24V DC SMPS
DC Output voltage	12V	24V
RATED OUTPUT CURRENT	20A	10A
OUTPUT CURRENT RANGE	0~20A	0~10A
DC output power	240W	240W
Efficiency	84%	85%
Input current	4.2A/115V 2.2A/230V	
Temperature coefficient	$\pm 0.03\%/^{\circ}\text{C}$ (0~50 $^{\circ}\text{C}$ )	
Setup, rise, hold up time	200ms, 100ms, 20ms	
Withstand voltage	I/P-O/P:1.5KVAC I/P-FG:1.5KVAC O/P-FG:0.5KVAC	
Overall dimension	199X110X50mm (L*W*H)	
Weight	0.86kgS	

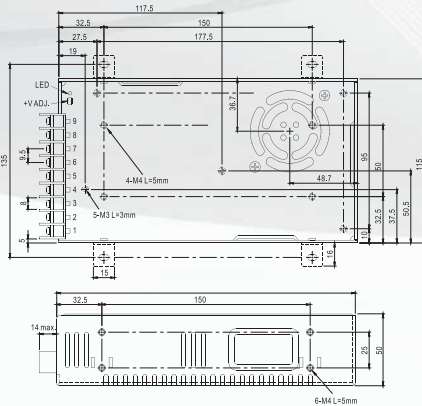
## 150 Watt Series

Model Specification	JG-S150-5 29A 5VDC SMPS	JG - S - 150 6.5A 24V DC SMPS
DC Output voltage	5V	24V
RATED OUTPUT CURRENT	29A	6.5A
OUTPUT CURRENT RANGE	0~29A	0~6.5A
DC output power	150W	156W
Efficiency	80%	85%
Input current	3.2A/115V 1.6A/230V	
Temperature coefficient	$\pm 0.03\%/^{\circ}\text{C}$ (0~50 $^{\circ}\text{C}$ )	
Setup, rise, hold up time	100ms, 50ms, 20ms	
Withstand voltage	I/P-O/P:1.5KVAC I/P-FG:1.5KVAC O/P-FG:0.5KVAC	
Overall dimension	199X98X38mm (L*W*H)	
Weight	0.65kgS	



# SWITCHING MODE POWER SUPPLY (SMPS)

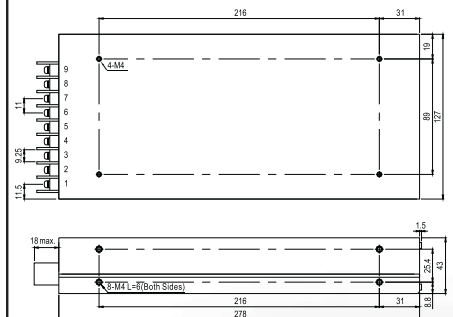
## 350 Watt Series



Model Specification	JG - S - 360 30A 12V DC SMPS	JG - S - 350 14.5A 24V DC SMPS
DC Output voltage	12V	24V
RATED OUTPUT CURRENT	29A	14.6A
OUTPUT CURRENT RANGE	0~29A	0~14.6A
DC output power	348W	350.4W
Efficiency	83%	84%
Input current	6.5A/115V 4A/230V	
Temperature coefficient	±0.03%/°C (0~50°C)	
Setup, rise, hold up time	200ms, 100ms, 20ms	
Withstand voltage	I/P-O/P:1.5KVAC I/P-FG:1.5KVAC O/P-FG:0.5KVAC	
Overall dimension	215X115X50(L*W*H)	
Weight	0.90kgS	

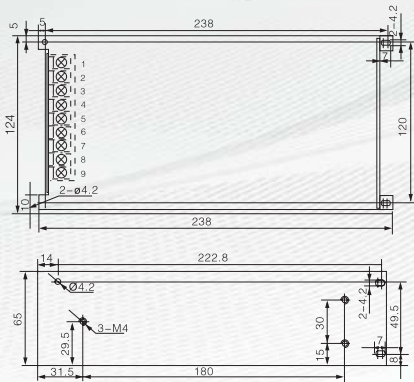
## 500 Watt Series

Model Specification	JG - S - 500 20A 24V DC SMPS
DC Output voltage	24V
RATED OUTPUT CURRENT	20A
OUTPUT CURRENT RANGE	0~20A
DC output power	480W
Efficiency	86%
Input current	5A/230V
Temperature coefficient	±0.03%/°C (0~50°C)
Setup, rise, hold up time	1s, 100ms, 50ms
Withstand voltage	I/P-O/P:1.5KVAC I/P-FG:1.5KVAC O/P-FG:0.5KVAC
Overall dimension	238X124X65mm (L*W*H)
Weight	1.45kgS



# SWITCHING MODE POWER SUPPLY (SMPS)

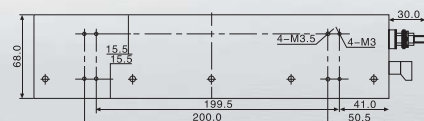
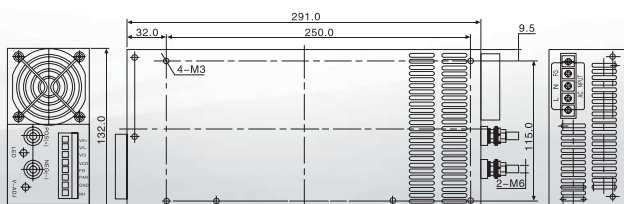
## 600 Watt Series



Model Specification	JG - S - 600 25A 24V DC SMPS
DC Output voltage	24V
RATED OUTPUT CURRENT	25A
OUTPUT CURRENT RANGE	0~25A
DC output power	600W
Efficiency	86%
Input current	5A/230V
Temperature coefficient	±0.03%/°C (0~50°C)
Setup, rise, hold up time	1s, 100ms, 50ms
Withstand voltage	I/P-O/P:1.5KVAC I/P-FG:1.5KVAC O/P-FG:0.5KVAC
Overall dimension	238 x 124 x 65mm(L*W*H)
Weight	1.45kgS

## 1000 Watt Series

Model Specification	JG - S - 500 20A 24V DC SMPS
DC Output voltage	24V
RATED OUTPUT CURRENT	40A
OUTPUT CURRENT RANGE	0~40A
DC output power	1000W
Efficiency	85.5%
Input current	7A/230V
Temperature coefficient	±0.03%/°C (0~50°C)
Setup, rise, hold up time	1.5s, 50ms, 20ms
Withstand voltage	I/P-O/P:1.5KVAC I/P-FG:1.5KVAC O/P-FG:0.5KVAC
Overall dimension	291X132X68mm (L*W*H)
Weight	2.35kgS

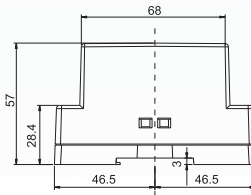
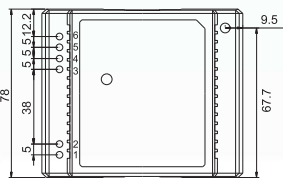


# SWITCHING MODE POWER SUPPLY (SMPS)

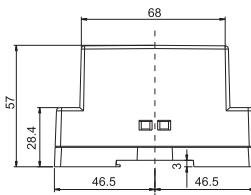
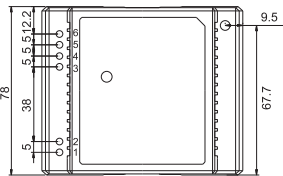
## DIN RAIL Series

Model Specification	JG - DR - 25 1.1A 24V DC	JG - DR - 60 2.5A 24V DC	JG-DR-120 5A 24V DC	JG-DR-240 10A 24V DC
Rated Output	24V 0-1.5A	24V 0-2.5A	24V 0-5A	24V 0-10A
DC output power	36W	60W	120W	240W
Efficiency	83%	84%	84%	84%
Input current (115V/230V)	0.88A/0.48A	1.2A/0.8A	2.6A/1.6A	1.4A(230V)
Setup, rise hold up time(230V/115V)	100ms, 30ms, 100ms/21ms	100ms, 30ms 100ms/21ms	500ms, 70ms 36ms/32ms	800ms, 40ms 24ms/24ms
Withstand voltage	I/P-O/P:3KVAC			
Overall dimension (L*W*H) in mm	73x93x56	78x93x56	65.5x125.2x100	125.5x125.2x100
Weight	0.27kgS	0.27kgS	0.8 kgS	1.2 kgS

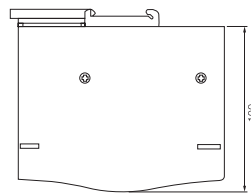
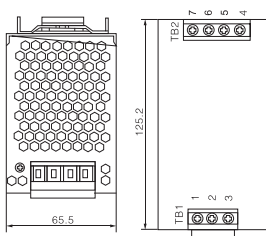
JG - DR - 25



JG - DR - 60



JG-DR-120



JG-DR-240

