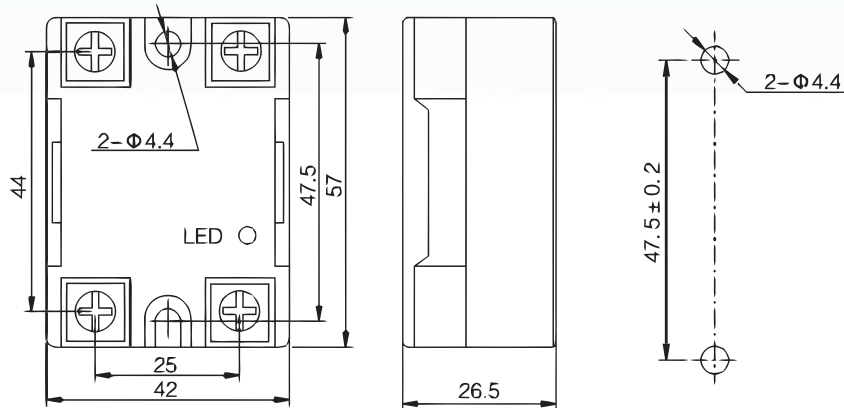


SOLID STATE RELAY

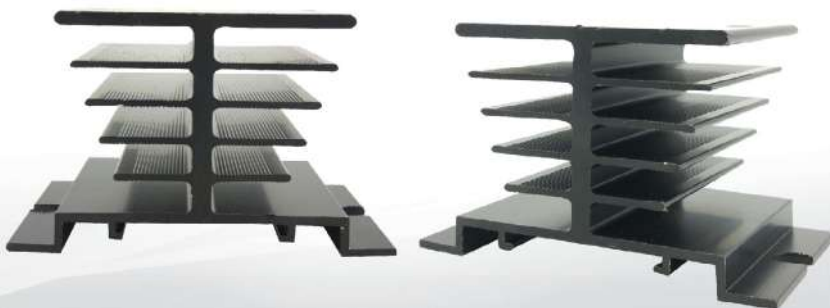
SINGLE PHASE SSR - DC~AC, AC~AC



Load voltage	90 ~ 480 VAC
Load current	10A,15A,25A,40A,50A 60A,75A,90A,120A
Control voltage	DC3-32V / AC90-250V
Control current	DC3-25mA/AC12mA
On voltage	<= 1.5V
Off leading current	<=2mA
On-off time	<=10ms
Dielectric strength	2500VAC
Insulation resistance	1000mΩ/500VDC
Ambient temperature	-35~+70℃
Mounting methods	Screw
The working methods	LED
Weight	90g for 10A, 25A 135g for above 40A



HEAT SINK - SINGLE PHASE SSR



For SSR 5~20A

JG-XI50



SOLID STATE RELAY

THREE PHASE SSR - DC~AC, AC~AC

Product model	JG-XSSR-3DA48 □□DC	JG-XSSR-3DA48 □□AC
Control voltage	3-32VDC	80-250VAC
Control current	10-30mA	10-30mA
Reverse voltage	32VDC	/
Guarantee close voltage	1VDC	30VDC
Guarantee open voltage	3VDC	80VDC
Load voltage	24-480VAC	
Load max current	16A/25A/40A/50A/60A/80A/90A/100A/120A	
Load mini current	0.08A / 0.1A (>75A)	
Breakover voltage	≤1.8VDC / ≤2VDC (>75A)	
Output leakage current	≤8mA	
Medium withstand voltage	≥2500VAC	
Insulating resistance	≥100MΩ	
Switching time	≤10mS	
Frequency range	50-60Hz	
Operating temperature	-20~70°C	
Load current safety factor	(resistive load)50-60% (inductive load)30-40%	



UPTO 60A



ABOVE 80A



SOLID STATE RELAY

SINGLE PHASE SSR - MODULAR TYPE

Product model	JG-XSSR-DA48 □□□M1	JG-XSSR-DA48 □□□M2	JG-XSSR-DA48 □□□M3
Control voltage		3-32VDC	
Control current		6-25mA	
Reverse voltage		32VDC	
Guarantee close voltage		1VDC	
Guarantee open voltage		3VDC	
Load voltage		75-480VAC	
Load max current	150A	200A / 300A	250A / 400A
Load mini current	0.1A	0.2A	0.2A
Breakover voltage		≤ 2VDC	
Output leakage current		≤ 8mA	
Medium withstand voltage		≥ 2500VAC	
Insulating resistance		≥ 100MΩ	
Switching time		≤ 10mS	
Frequency range		50-60Hz	
Operating temperature		-20~70°C	
load current safety factor		(resistive load)50-60% (inductive load)30-40%	

