

**\* NO GURANTEE/WARRANTY FOR IMPORTED PRODUCTS**
**NYLON CABLE TIES**

Model No. Description

 20% EXTRA FOR UV CABLE TIE  
25% EXTRA FOR OTHER COLORS

**MINIATURE SERIES**

		White	Black
JG-S100X2.5	Length 100mm and width 2.5mm	23	24
JG-S150X2.5	Length 150mm and width 2.5mm	35	38

**INTERMEDIATE SERIES**

		White	Black
JG-ST150X3.6	Length 150mm and width 3.6mm	50	55
JG-S200X3.6	Length 200mm and width 3.6mm	65	72
JG-S250X3.6	Length 250mm and width 3.6mm	80	88
JG-S300X3.6	Length 300mm and width 3.6mm	105	115
JG-S350X3.6	Length 350mm and width 3.6mm	130	145

**STANDARD SERIES**

		White	Black
JG-ST200X4.8	Length 200mm and width 4.8mm	100	110
JG-ST250X4.8	Length 250mm and width 4.8mm	120	130
JG-ST300X4.8	Length 300mm and width 4.8mm	140	155
JG-ST350X4.8	Length 350mm and width 4.8mm	185	200
JG-S400X4.8	Length 400mm and width 4.8mm	210	230
JG-ST450X4.8	Length 450mm and width 4.8mm	250	275

**HEAVY SERIES**

		White	Black
JG-H200X7.6	Length 200mm and width 7.6mm	200	220
JG-H300X7.6	Length 300mm and width 7.6mm	260	280
JG-G450X7.6	Length 450mm and width 7.6mm	440	480
JG-550X9	Length 550mm and width 7.6mm	600	660
JG-650X9	Length 650mm and width 7.6mm	700	770
JG-760X9	Length 760mm and width 7.6mm	900	-
JG-920X9	Length 920mm and width 9mm	1150	-


**NYLON MARKER TIES**

		Price
JG-100	Length 100mm and width 2.5Mmm	70.00

**STAINLESS STEEL TIES**

		Price
JG-150X4.8S	Length 150mm & width 4.8mm	650
JG-200X4.8S	Length 200mm & width 4.8mm	750
JG-250X4.8S	Length 250mm & width 4.8mm	800
JG-300X4.8S	Length 300mm & width 4.8mm	850
JG-450X4.8S	Length 450mm & width 4.8mm	1000

## NYLON CABLE GLAND

Model No. Description



### PG THREAD GLAND

		Price	Black
JG-7	PG Thread Nylon Cable Gland PG-7	7	8
JG-9	PG Thread Nylon Cable Gland PG-9	10	11
JG-11	PG Thread Nylon Cable Gland PG-11	12	13
JG-13.5	PG Thread Nylon Cable Gland PG-13.5	15	16
JG-16	PG Thread Nylon Cable Gland PG-16	18	20
JG-19	PG Thread Nylon Cable Gland PG-19	23	25
JG-21	PG Thread Nylon Cable Gland PG-21	25	28
JG-25	PG Thread Nylon Cable Gland PG-25	32	
JG-29	PG Thread Nylon Cable Gland PG-29	41	
JG-36	PG Thread Nylon Cable Gland PG-36	80	
JG-42	PG Thread Nylon Cable Gland PG-42	95	
JG-48	PG Thread Nylon Cable Gland PG-48	120	
JG-63	PG Thread Nylon Cable Gland PG-63	260	

### M THREAD GLANDS

		Price
JG-M12	M Thread Nylon Cable Gland M-12	8
JG-M16	M Thread Nylon Cable Gland M-16	11
JG-M20	M Thread Nylon Cable Gland M-20	16
JG-M25	M Thread Nylon Cable Gland M-25	25
JG-M32	M Thread Nylon Cable Gland M-32	42
JG-M40	M Thread Nylon Cable Gland M-40	100
JG-M50	M Thread Nylon Cable Gland M-50	120
JG-M63	M Thread Nylon Cable Gland M-63	270

## INDUSTRIAL PLUG - IP44

Model No. Description



### INDUSTRIAL PLUG

		Price
JG-012	16 Amp 2 Pin	130
JG-013	16 Amp 3 Pin	90
JG-014	16 Amp 4 Pin	110
JG-015	16 Amp 5 Pin	160
JG-024	32 Amp 3 Pin	180
JG-025	32 Amp 5 Pin	220
JG-035	63 Amp 5 Pin	1000
JG-0452	125 Amp 5 Pin	3600

### INDUSTRIAL WALL SOCKET

		Price
JG-112	16 Amp 2 Pin	130
JG-113	16 Amp 3 Pin	145
JG-114	16 Amp 4 Pin	170
JG-115	16 Amp 5 Pin	200
JG-123	32 Amp 3 Pin	210
JG-125	32 Amp 5 Pin	230
JG-135	63 Amp 5 Pin	1200
JG-1452 /3452	125 Amp 5 Pin	4200

Price

**INDUSTRIAL STRAIGHT SOCKET**

JG-212	16 Amp 2 Pin	155
JG-213	16 Amp 3 Pin	120
JG-214	16 Amp 4 Pin	160
JG-215	16 Amp 5 Pin	180
JG-223	32 Amp 3 Pin	190
JG-225	32 Amp 5 Pin	230
JG-235	63 Amp 5 Pin	1100
JG-245	125 Amp 5 Pin	4500



Price

**MULTI PLUG**

JG-1013	16 Amp 3 Pin-3 Way Splitter	600
JG-1015	16 Amp 5 Pin-3 Way Splitter	1200
JG-1025	32 Amp 3 Pin-3 Way Splitter	2000



**INDUSTRIAL REVERSE PLUG**

Price

JG-513	16A 3 Pin	220
JG-515	16A 5 Pin	300
JG-525	32A 5 Pin	450

**INTEGRATED PLUG & SOCKET SOLUTION**

**WATER PROOF BOX WITH PLUG AND SOCKET**

Price

JG-1802	16A 3 Pin 3 Socket with One Plug and 4 Modular Mcb Channel	2000
---------	--	------



**JUNCTION & DISTRIBUTION BOX**

Model No. Description

**WATER PROOF DISTRIBUTION BOX IP 65 & 67**

Price

JG-56CB4N	4 Way Mcb Box with Indicator	1200
JG-56CB8N	8 Way Mcb Box with Indicator	2700
JG-56CB4N A	4Way Mcb Box with Indicator and 15A 3 Pin Socket	4000
JG-56CB8N A	8 Way Mcb Box with Indicator and 32A 5 Pin Socket	4400
JG-HT2	2 Way Ip65 Distribution Box	-
JG-HA-4 WAY	4 Way Distribution Box Ip65	850
JG-HA-8 WAY	8 Way Distribution Box Ip65	1700



**HEAVY DUTY CONNECTORS**

Model No. Description

**HEAVY DUTY CONNECTORS**

Price

JG-HE004-02	4 Pin Rectangle Metal Plug & Socket	690
JG-HE006-01	Side Entry 6 Pin Metal Plug & Socket Bottom Open	950
JG-HE010-01	Side Entry 10 Pin Metal Plug & Socket Bottom Open	1200
JG-HE016-01	Side Entry 16 Pin Metal Plug & Socket Bottom Open	1500
JG-HE024-01	Side Entry 24 Pin Metal Plug & Socket Bottom Open	1800
JG-HE032-01	Side Entry 32 Pin Metal Plug & Socket Bottom Open	3300
JG-HE048-01	Side Entry 48 Pin Metal Plug & Socket Bottom Open	4200



**IP-67 INDUSTRIAL PLUG**

162	JG - 0132	Ip67 Rated Industrial Plug 16 Amp 3 Pin	10 Pcs	60 Pcs	200.00	/ Pc
163	JG - 0152	IP67 Rated Industrial Plug 16 Amp 5 Pin	10 Pcs	60 Pcs	290.00	/ Pc
164	JG - 0232	IP67 Rated Industrial Plug 32 Amp 3 Pin	10 Pcs	60 Pcs	330.00	/ Pc
165	JG - 0252	IP67 Rated Industrial Plug 32 Amp 5 Pin	10 Pcs	60 Pcs	400.00	/ Pc
166	JG - 0352	IP67 Rated Industrial Plug 63 Amp 5 Pin	2 Pcs	10 Pcs	-----	/ Pc

**IP-67 WAL SOCKET**

167	JG - 1132	Ip67 Rated Industrial Wall Socket 16 Amp 3 Pin	10 Pcs	60 Pcs	400.00	/ Pc
168	JG - 1152	IP67 Rated Industrial Wall Socket 16 Amp 5 Pin	10 Pcs	60 Pcs	550.00	/ Pc
169	JG - 1232	IP67 Rated Industrial Wall Socket 32 Amp 3 Pin	10 Pcs	60 Pcs	600.00	/ Pc
170	JG - 1252	IP67 Rated Industrial Wall Socket 32 Amp 5 Pin	10 Pcs	60 Pcs	690.00	/ Pc
171	JG - 1352	IP67 Rated Industrial Wall Socket 63 Amp 5 Pin	1 Pcs	10 Pcs	-----	/ Pc

**IP-67 STAIGHT SOCKET**

172	JG - 2132	Ip67 Rated Industrial Straight Socket 16 Amp 3 Pin	10 Pcs	60 Pcs	330.00	/ Pc
173	JG - 2152	IP67 Rated Industrial Straight Socket 16 Amp 5 Pin	10 Pcs	60 Pcs	490.00	/ Pc
174	JG - 2232	IP67 Rated Industrial Straight Socket 32 Amp 3 Pin	10 Pcs	60 Pcs	500.00	/ Pc
175	JG - 2252	IP67 Rated Industrial Straight Socket 32 Amp 5 Pin	10 Pcs	60 Pcs	600.00	/ Pc
176	JG - 2352	IP67 Rated Industrial Straight Socket 63 Amp 5 Pin	2 Pcs	10 Pcs	-----	/ Pc

**NYLON CONTROL BOX**

147	JG - XAL-B01	1 Way Empty Box	1 Pcs	100 Pcs	55.00	/ Pc
148	JG - XAL-B02	2 Way Empty Box	1 Pcs	100 Pcs	65.00	/ Pc
149	JG - XAL-B03	3 Way Empty Box	1 Pcs	75 Pcs	85.00	/ Pc
150	JG - XAL-B04	4 Way Empty Box	1 Pcs	50 Pcs	110.00	/ Pc
151	JG - XAL-B06	6 Way Empty Box	1 Pcs	50 Pcs	160.00	/ Pc
152	JG - XAL-B01	1 Way Empty Box 700MM HEIGHT	1 Pcs	100 Pcs	180.00	/ Pc
153	JG - XAL-B02	2 Way Empty Box 700MM HEIGHT	1 Pcs	100 Pcs	250.00	/ Pc
154	JG - XAL-B03	3 Way Empty Box 700MM HEIGHT	1 Pcs	50 Pcs	300.00	/ Pc
155	JG - HJ9-1	One Way Box With Emergency Push	1 Pcs	100 Pcs	350.00	/ Pc



## BI-METALLIC LUGS

### BI-METALLIC LUGS - ALUMINIUM BARREL, COPPER PALM

Model No.	Description	Price
JG-BM-025	Wire Size-25Sqmm.	130.00
JG-BM-035	Wire Size-35Sqmm.	130.00
JG-BM-050	Wire Size-50Sqmm.	180.00
JG-BM-070	Wire Size-70Sqmm.	185.00
JG-BM-095	Wire Size-95Sqmm.	190.00
JG-BM-120	Wire Size-120Sqmm.	340.00
JG-BM-150	Wire Size-150Sqmm.	350.00
JG-BM-185	Wire Size-185Sqmm.	535.00
JG-BM-240	Wire Size-240Sqmm.	545.00
JG-BM-300	Wire Size-300Sqmm.	580.00
JG-BM-400	Wire Size-400Sqmm.	850.00



## NYLON CABLE REEL DRUM WITH RCCB

Model No.	Description	Price
JG-313	Cable Reel 16A 3Pin Univrsal4 Socket With 32 Amps Rccb (Orange Body)	5200.00
JG-313	Cable Reel 16A 3Pin Univrsal4 Socket With 32 Amps Rccb (Black Body)	5200.00
JG-312	Cable Reel 16A 2Pin Industrial4 Socket With 32 Amps Rccb (Black Body)	4500.00
JG-313	Cable Reel 16A 3Pin Industrial4 Socket With 32 Amps Rccb (Orange Body)	4500.00



## DRAG CHAIN



Model No.	Description	Price
JG-15X20	JG-15X20	950.00
JG-18X37	JG-18X37	1100.00
JG-25X38	JG-25X38	1550.00
JG-25X57	JG-25X57	1700.00
JG-35X75	JG-35X75	2300.00
JG-35X100	JG-35X100	2500.00
JG-35X125	JG-35X125	3000.00
JG-45X125	JG-45X125	3200.00
JG-65X150	JG-65X150	5000.00

## BATTERY CONNECTOR SOCKET



Model No.	Description	Price
JG-SG50A	Double Power Connector For Battery - 50A	125.00
JG-SG120A	Double Power Connector For Battery - 120A	350.00
JG-SG175A	Double Power Connector For Battery - 175A	450.00
JG-SG350A	Double Power Connector For Battery - 350A	1000.00

## PANEL COOLING FAN

Model No.	Description	Price
JG - DC-8025	3 Inch cooling Fan - 12V/24V DC	130.00
JG - AC-8025	3 Inch cooling Fan - 220V AC	450.00
JG - DC-9025	3.5 Inch cooling Fan-12/24V DC	140.00
JG - AC-9025	3.5 Inch cooling Fan-220V AC	500.00
JG - DC-12038	4 Inch cooling Fan - 12V/24V/48V DC	450.00
JG - AC-12038	4 Inch cooling Fan - 110V AC	550.00
JG - AC-12038	4 Inch cooling Fan 220V AC SLEEVE BEARING	550.00
JG - DC-172150	6 Inch cooling Fan 24V DC	1600.00
JG - AC-172150	6 Inch cooling Fan 110V AC Square / Round	1100.00
JG - AC-172150	6 Inch cooling Fan 220V AC SLEEVE BEARING	1050.00
JG - AC-22060 R	8 Inch Round/Square Cooling Fan-220V AC BALL BEARING	1900.00
	4'230V fan sibass	380.00



## JiGO RCCB

Model No.	Description	Price
JG - VFL001	40A 4 POLE 30MA	2000.00
JG - VFL001	40A 4 POLE 100MA	2000.00
JG - VFL001	63A 4 POLE 30MA	2000.00
JG - VFL001	63A 4 POLE 100MA	2000.00
JG - VFL001	63A 4 POLE 300MA	2000.00



## JiGO WEATHER PROOF ENCLOSURES

Description	Price
BELLPUSH (1M)	450.00
13A-DD Combine ( 1 Switch + 1 Socket )	750.00
13A-2 Switch + 1 Socket Combine	1000.00



### FLOAT SWITCH/WATER LEVEL CONTROLLER

Model No.	Description	Price
JG-FLS01	Float Switch2m	340.00
JG-FLS03	Float Switch3m	380.00
JG-FLS05	Float Switch5m	520.00



### SWITCHING MODE POWER SUPPLY (SMPS)

#### SMPS - 24VDC

Model No.	Description	Price
JG-S-50	2.1A 24V DC SMPS	1300.00
JG-S-120	5A 24V DC SMPS	1800.00
JG-S-145	6A 24V DC SMPS	2000.00
JG-S-250	10A 24V DC SMPS	2700.00
JG-S-350	14.5A 24V DC SMPS	3400.00
JG-S-500	20A 24V DC SMPS	5800.00
JG-S-600	25A 24V DC SMPS	7200.00



#### SMPS - 12VDC

Model No.	Description	Price
JG-MS-25	2.1A 12V DC SMPS	900.00
JG-S-60	5A 12V DC SMPS	1350.00
JG-S-75	6.1A 12V DC SMPS	1400.00
JG-S-120	10A 12V DC SMPS	1800.00
JG-S-175	14.5A 12V DC SMPS	2650.00



### REVOLVING LIGHT

Model No.	Description	Price
JG-LTE1103J	With Buzzer in RED 12V DC TO 220V AC	630.00
JG- LTE 1103J	With Buzzer in Green / Yellow / Blue 12V DC TO 220V AC	730.00
JG-LTE2071	Flasher Without Buzzer in R/G/B/Y in 12v DC TO 220V AC	570.00
JG-LTE2071J	Flasher With Buzzer in R/G/B/Y in 12v DC TO 220V AC	600.00
JG-TYN	Solar Revolving Light Without Buzzer	1100.00
JG-ID 60	Motor Siren With Revolving Lamp	3500.00
JG-ID 90	Motor Siren With Revolving Lamp	8200.00





#### TOWER LIGHT SINGLE VOLTAGE

Model No.	Description	Price
JG-JPT5-1D	1 Tier (Red) W/O Buzzer in 110/220V AC and 24VDC	700.00
JG-JPT5-1U-D	1 Tier (Red) With Buzzer in 110/220V AC and 24VDC	800.00
JG-JPT5-2-D	2 Tier (Red/Green) W/O Buzzer in 110/220V AC and 24V DC	1000.00
JG-JPT5-2U-D	2 Tier (Red/Green) With Buzzer in 110/220V AC and 24V DC	1100.00
JG-JPT5-3-D	3 Tier (R,G,Y) W/O Buzzer in 110/220V AC and 24V DC	1150.00
JG-JPT5-3U-D	3 Tier (R,G,Y) With Buzzer in 110/220V AC and 24V DC	1250.00

#### INDUSTRIAL BUZZER & SIREN

Model No.	Description	Price
JG-MS190	MS190 SIREN IN 12/24V DC	800.00
JG-MS190	MS190 SIREN IN 220V AC	750.00
JG-MS290	MS290 SIREN IN 12/24V DC METAL BODY	1300.00
JG-MS290	MS290 SIREN IN 220V AC METAL BODY	1200.00
JG-MS390	MS390 SIREN IN 220V AC	3000.00
JG-MS490	MS490 SIREN IN 220V AC	7500.00



#### RELAY & ACCESSORIES

##### GENERAL PURPOSE RELAY

Model No.	Description	Price
JG-60.12	8 PIN Relay with LED/PUSH in 6/12/24/110/220V AC/DC	270.00
JG-60.13	11 PIN Relay with LED/PUSH in 6/12/24/110/220V AC/DC	280.00
JG-MY2	MY2 Relay with LED in 6/12/24/110/220V AC/DC	150.00
JG-MY4	MY4 Relay with LED in 6/12/24/110/220V AC/DC	150.00



##### RELAY SOCKET

Model No.	Description	Price
JG-PF083A	Socket for Relay Model MK2	36.00
JG-PF113A	Socket for Relay Model MK3	60.00
JG-PYF08A	Socket for Relay Model MY2	50.00
JG-PYF11A	Socket for Relay Model MY4	63.00



##### ROCKER SWITCH

Model No.	Description	Price
JG-KCD-2	Rocker Switch in Red/Amber	33.00
JG-KCD-3	Rocker Switch in Green/Blue	33.00



### MICRO SWITCH XZ-7 SERIES

Model No.	Description	Price
HMC5000-JG-XZ-7310	Micro Switch Panel Mount Plunger	450.00
HMC2000-JG-XZ-7121	Micro Switch Long Hinge Roller Lever	450.00
HMC2020-JG-XZ-7141	Micro Switch Short Hinge Roller Level	450.00
HMC1020-JG-XZ-7140	Micro Switch Short Hinge Lever	450.00
HMC1000-JG-XZ-7120	Micro Switch Long Hinge Lever	450.00
HMC5020-JG-XZ-7311	Micro Switch Parallel Roller Plunger	500.00
HMC5040-JG-XZ-7312	Micro Switch Parallel Roller Plunger	500.00



### BASIC MICRO SWITCH



Model No.	Description	Price
JG-XV-15-1C25	Micro Switch Basic Point (NO+NC)	65.00
JG-XV-151-1C25	Micro Switch Basic Patti (NO+NC)	65.00
JG-XV-152-1C25	Micro Switch Basic Small Patti (NO+NC)	65.00
JG-XV-153-1C25	Micro Switch Basic Long Patti (NO+NC)	65.00
JG-XV-155-1C25	Micro Switch Basic Patti Roller (NO+NC)	70.00
JG-XV-156-1C25	Micro Switch Basic Long Patti Roller (NO+NC)	70.00

### LIMIT SWITCH

#### LIMIT SWITCH 81 SERIES

Model No.	Description	Price
JG-XZ-8104	Limit Switch Side Rotary Lever	630.00
JG-XZ-8107	Limit Switch Side Rotary with Rod	630.00
JG-XZ-8108	Limit Switch Adjustable Lever with Metal Roller	630.00
JG-XZ-8111	Limit Switch Vertical Push Road	580.00
JG-XZ-8112	Limit Switch Top Roller Vertical	580.00



#### LIMIT SWITCH WL SERIES

Model No.	Description	Price
JG-WLD	Limit Switch Top Push Road	1250.00
JG-WLD2	Limit Switch Top Plunger Roller	1250.00
JG-WLCA2	Limit Switch with Side Rotary Lever	1350.00
JG-WLCA12	Limit Switch Adjustable Lever with Roller	1350.00



### FOOT SWITCH

Model No.	Description	Price
JG-FS1	Metal Foot Switch	250.00
JG-FS3	Metal Foot Switch	375.00
JG-LT4 (FS-14)	Metal Foot Switch With Cove	950.00
JG-LT3	Metal Foot Switch With Out Cover	850.00
JG-YDT15	Twin Metal Foot Switch With Cover	3200.00
JG-LTh1/6	Metal Foot Switch With Cover	1800.00
	Spare foot switch Element	250.00





## SOLID STATE RELAY

### SINGLE PHASE SSR AC TO DC



Model No.	Description	Price
JG-ZG3NC10A	AC TO DC SSR - 10A	430.00
JG-ZG3NC16A	AC TO DC SSR - 16A	440.00
JG-ZG3NC25A	AC TO DC SSR - 25A	460.00
JG-ZG3NC40A	AC TO DC SSR - 40A	550.00
JG-ZG3NC50A	AC TO DC SSR - 50A	1150.00
JG-ZG3NC60A	AC TO DC SSR - 60A	1200.00
JG-ZG3NC80A	AC TO DC SSR - 80A	1600.00
JG-ZG3NC90A	AC TO DC SSR - 90A	1650.00

## PUSH BUTTONS

### PUSH BUTTONS -22.5 MM

Model No.	Description	Price
JG-BA21	Spring Return Push Button in Black Color	50.00
JG-BA31	Spring Return Push Button in Green Color	50.00
JG-BA42	Spring Return Push Button in Red Color	50.00
JG-BA51	Spring Return Push Button in Yellow Color	50.00
JG-BA61	Spring Return Push Button in Blue Color	50.00
JG-BC31	Mushroom Head Push Button in Green Color	78.00
JG-BC42	Mushroom Head Push Button in Red Color	78.00
JG-BS542	Emergency Push Button Turn to Release	86.00
JG-BS142	Emergency Push Button with Key	190.00
JG-BD21	2Position Selector Switch	75.00
JG-BD41	2Position Selector Switch Spring Return	80.00
JG-BD33	3Position Selector Switch	75.00
JG-BD53	3Position Selector Switch Spring Return	80.00
JG-BG21	2Position Selector Switch with Key	150.00
JG-BG33	3Position Selector Switch with Key	150.00
JG-BL8325	Twin Push Button Red & Green	140.00
JG-BL8475	Twin Push Button Red & Green with Light	190.00
JG-ZBE-101	Push Button Element NO - Green	25.00
JG-ZBE-102	Push Button Element NC - Red	25.00



### ILLUMINATED PUSH BUTTON



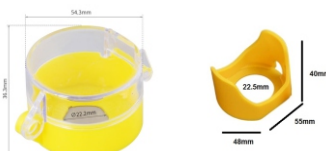
Model No.	Description	Price
JG-BW3472	Illuminated Push Button Led in Red	140.00
JG-BW3371	Illuminated Push Button Led in Green	140.00
JG-BW3561	Illuminated Push Button Led in Amber	140.00
JG-BW2465	Illuminated 2P Selector In Red/Green	195.00

### 22.5 INDICATOR LAMP WITH BUZZER



Model No.	Description	Price
JG-AD22J-B	22.5mm LED with Buzzer Red 220A AC/24V DC	120.00

### Spare & Accessories



Model No.	Description	Price
TB-40P	Transparent Stayput Cover	150.00
ES-40	Push Button Cover	150.00

### 22.5MM INDICATOR LAMP (4 SMD CHIP)



Model No.	Description	Price
JG-AD22-R	Red Color 220V/440V AC	40.00
JG-AD22-G	Green Color 220V/440V AC	40.00
JG-AD22-B	Blue Color 220V/440V AC	45.00
JG-AD22-W	White Color 220V/440V AC	45.00
JG-AD22-R	Red 12V/24V/110V AC/DC	50.00
JG-AD22-G	Green 12V/24V/110V AC/DC	50.00
JG-AD22-Y	Yellow 12V/24V/110V AC/DC	50.00
JG-AD22-B	Blue 12V/24V/110V AC/DC	55.00
JG-AD22-W	White 12V/24V/110V AC/DC	55.00

### 22.5MM LED WITH VOLT/HZ/AMP

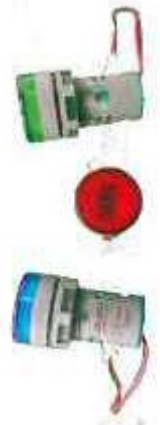
Model No.	Description	Price
JG-AD22.5V	ROUND LED With Volt Meter	110.00
JG-AD22.5HZ	ROUND LED With HZ Meter	160.00
JG-AD22.5A	ROUND LED With AMP Meter	300.00
JG-AD22.5 V+A	ROUND LED With Volt + Amp Meter	350.00
JG-AD22.5 V-DC	ROUND LED With Volt Meter DC	250.00



### 16 MM LED INDICATOR (SMD CHIP)



Model No.	Description	Price
JG-AD16-R	Red Color 220V AC	45.00
JG-AD16-G	Green Color 220V AC	45.00
JG-AD16-Y	Yellow Color 220V AC	45.00
JG-AD16-B	Blue Color 220V AC	50.00
JG-AD16-R	Red 12V/24V/110V AC/DC	55.00
JG-AD16-G	Green 12V/24V/110V AC/DC	55.00
JG-AD16-Y	Yellow 12V/24V/110V AC/DC	55.00
JG-AD16-B	Blue 12V/24V/110V AC/DC	60.00
JG-AD16-W	White 12V/24V/110V AC/DC	60.00



## CRANE & PENDANT CONTROL STATION

### PENDANT SWITCH

Model No.	Description	Price
JG-COB61	2 Way - Up / Down	170.00
JG-COB62	4 Way - Up / Down / Left / Right	270.00
JG-COB63	6 Way - Up / Down / Left / Right / reverse / Forward	360.00
JG-COB64	8 Way - Up / Down / Left / Right / reverse / Forward / Quick / Slow	450.00



### IP67 CRANE SWITCH

Model No.	Description	Price
JG-XAC-2713	2 Push Button Control Station with Emergency Stop	850.00
JG-XAC-4713	4 Push Button Control Station with Emergency Stop	1200.00
JG-XAC-6713	6 Push Button Control Station with Emergency Stop	1600.00
JG-XAC-8713	8 Push Button Control Station with Emergency Stop	2000.00
JG-TY-3	2 Push Button Control with Emergency Stop	1600.00
JG-XAC-271	2 Push Button Control Station	750.00
JG-XAC-471	4 Push Button Control Station	1100.00
JG-XAC-671	6 Push Button Control Station	1450.00
JG-XAC-871	8 Push Button Control Station	1850.00
JG-COB-21E	Crane Switch With Emergency & Up & Down Rocker Switch	1500.00



XAC PUSH BUTTON -90.00  
XAC STAYPUT - 100.00  
SPARE ELEMENT - 400.00

### CONTACTORS

#### 1/2 POLE AC CONTACTOR



Model No.	Description	Primary Packaging	Carton Packaging	Price
JG-02P	2 PLE CONTACTOR	1 Pc	50Pcs	500.00

#### 3 POLE AC CONTACTOR



Model No.	Description	Primary Packaging	Carton Packaging	Price
JG-0910/0901	24V/36V/110V/220V/415V AC	1 Pc	50Pcs	700.00
JG-1210/1201	24V/36V/110V/220V/415V AC	1 Pc	50Pcs	750.00
JG-1810/1801	24V/36V/110V/220V/415V AC	1 Pc	50Pcs	800.00
JG-2510/2501	24V/36V/110V/220V/415V AC	1 Pc	50Pcs	1200.00
JG-3210/3201	24V/36V/110V/220V/415V AC	1 Pc	50Pcs	1650.00
JG-4011	24V/36V/110V/220V/415V AC	1 Pc	20Pcs	3200.00
JG-5011	24V/36V/110V/220V/415V AC	1 Pc	20Pcs	3400.00
JG-6511	24V/36V/110V/220V/415V AC	1 Pc	20Pcs	4000.00
JG-8011	24V/36V/110V/220V/415V AC	1 Pc	20Pcs	6850.00
JG-9511	24V/36V/110V/220V/415V AC	1 Pc	20Pcs	7100.00

### CONTACTOR ACCESSORIES

#### ADD ON BLOCK



Model No.	Description	Primary Packaging	Carton Packaging	Price
JG-F411	1NO+1NC	1Pc	100Pcs	150.00
JG-F4-20	2NO	1Pc	100Pcs	150.00
JG-F4-02	2NC	1Pc	100Pcs	150.00
JG-F4-22	2NO+2NC	1Pc	100Pcs	225.00
JG-F4-31	3NO+1NC	1Pc	100Pcs	225.00
JG-F4-13	1NO+3NC	1Pc	100Pcs	225.00
JG-F4-40	4NO	1Pc	100Pcs	225.00
JG-F4-04	4NC	1Pc	100Pcs	225.00

#### SPARE COIL



JG-02	9/12/18A	1 Pc	100Pcs	500.00
JG-04	25/32A	1 Pc	100Pcs	690.00
JG-06	40/50/65/80/95A	1 Pc	100Pcs	1750.00

**RELAY**

Model No.	Description	Primary Packaging	Carton Packaging	Price
JG2-25-13	9A TO 18AMPS	1 Pc	100Pcs	950.00
JG2-25-36	25/32AMPS	1 Pc	100Pcs	2500.00
JG2-25-93	40 TO 95AMPS	1 Pc	100Pcs	4000.00
JG2-25-120	115/400AMPS	1 Pc	100Pcs	5600.00



**INDUCTIVE TYPE - ROUND MODEL 2 WIRE DC**



Model No.	Description	Primary Packaging	Carton Packaging	Price
JG-GI12-04D1	Inductive 12mm non-flush DC NO	10 Pcs	100 Pcs	360.00
JG-GI12-04D2	Inductive 12mm non-flush DC NC	10 Pcs	100 Pcs	360.00
JG-GI18-08D1	Inductive 18mm non-flush DC NO	10 Pcs	100 Pcs	400.00
JG-GI18-04D2	Inductive 18mm non-flush DC NC	10 Pcs	100 Pcs	400.00

**INDUCTIVE TYPE - ROUND MODEL 3 WIRE DC PLASTIC**

JG-GIP18-08P1	Inductive 18mm non-flush PMP NO	10 Pcs	100 Pcs	400.00
---------------	---------------------------------	--------	---------	--------



**PROXIMITY SENSORS**

**INDUCTIVE TYPE - ROUND MODEL 3 WIRE DC**



Model No.	Description	Primary Packaging	Carton Packaging	Price
JG-GI08-02P1	Inductive 8mm non-flush PNP NO	10 Pcs	100 Pcs	400.00
JG-GI08-02P2	Inductive 8mm non-flush PNP NC	10 Pcs	100 Pcs	400.00
JG-GI08-02N1	Inductive 8mm non-flush NPN NO	10 Pcs	100 Pcs	400.00
JG-GI08-02N2	Inductive 8mm non-flush NPN NC	10 Pcs	100 Pcs	400.00
JG-GI08-02A1	Inductive 8mm non-flush AC NO	10 Pcs	100 Pcs	420.00
JG-GI08-02A2	Inductive 8mm non-flush AC NC	10 Pcs	100 Pcs	420.00
JG-GI12-04P1	Inductive 12mm non-flush PNP NO	10 Pcs	100 Pcs	300.00
JG-GI12-04P2	Inductive 12mm non-flush PNP NC	10 Pcs	100 Pcs	300.00
JG-GI12-04N1	Inductive 12mm non-flush NPN NO	10 Pcs	100 Pcs	300.00
JG-GI12-04N2	Inductive 12mm non-flush NPN NC	10 Pcs	100 Pcs	300.00
JG-GI12-04A1	Inductive 12mm non-flush AC NO	10 Pcs	100 Pcs	350.00
JG-GI12-04A2	Inductive 12mm non-flush AC NC	10 Pcs	100 Pcs	350.00
JG-GI18-08P1	Inductive 18mm non-flush PNP NO	10 Pcs	100 Pcs	300.00
JG-GI18-08P2	Inductive 18mm non-flush PNP NC	10 Pcs	100 Pcs	300.00
JG-GI18-08N1	Inductive 18mm non-flush NPN NO	10 Pcs	100 Pcs	300.00
JG-GI18-08N2	Inductive 18mm non-flush NPN NC	10 Pcs	100 Pcs	300.00
JG-GI18-08A1	Inductive 18mm non-flush AC NO	10 Pcs	100 Pcs	350.00
JG-GI18-08A2	Inductive 18mm non-flush AC NC	10 Pcs	100 Pcs	350.00
JG-GI30-15P1	Inductive 30mm non-flush PNP NO	10 Pcs	100 Pcs	600.00
JG-GI30-15P2	Inductive 30mm non-flush PNP NC	10 Pcs	100 Pcs	600.00
JG-GI30-15N1	Inductive 30mm non-flush NPN NO	10 Pcs	100 Pcs	600.00
JG-GI30-15N2	Inductive 30mm non-flush NPN NC	10 Pcs	100 Pcs	600.00
JG-GI30-15A1	Inductive 30mm non-flush AC NO	10 Pcs	100 Pcs	650.00
JG-GI30-15A2	Inductive 30mm non-flush AC NC	10 Pcs	100 Pcs	650.00

**\* FLUSH TYPE 10% EXTRA**



**INDUCTIVE TYPE - RECTANGULAR**

Model No.	Description	Primary Packaging	Carton Packaging	Price
JG-SN04-P1	Inductive 18*18*36mm PNP NO	10 Pcs	100 Pcs	425.00
JG-SN04-N1	Inductive 18*18*36mm NPN NO	10 Pcs	100 Pcs	425.00
JG-PS-05P	Inductive 17*17*28mm PNP NO	10 Pcs	100 Pcs	425.00
JG-PS-05N	Inductive 17*17*28mm NPN NO	10 Pcs	100 Pcs	425.00
JG-PL-05P	Inductive 17*17*35mm PNP NO	10 Pcs	100 Pcs	425.00
JG-PL-05N	Inductive 17*17*35mm NPN NO	10 Pcs	100 Pcs	425.00
JG-TL-Q5MB1	Inductive 17*17*28mm PNP NO	10 Pcs	100 Pcs	425.00
JG-TL-Q5MC1	Inductive 17*17*28mm NPN NO	10 Pcs	100 Pcs	500.00
JG-TL-W5MB1	Inductive 18*18*36mm PNP NO	10 Pcs	100 Pcs	500.00
JG-TL-W5NC1	Inductive 18*18*36mm NPN NO	10 Pcs	100 Pcs	500.00
JG-TL-N20MB1	Inductive 30*30*53mm PNP NO	10 Pcs	100 Pcs	1100.00
JG-TL-N20ME1	Inductive 30*30*53mm NPN NO	10 Pcs	100 Pcs	1100.00



**PHOTO ELECTRIC SENSOR**

JG-GP12M-2CP3	Through beam photoelectric metal body 12mm PNP NO+NC	10 Pcs	100 Pcs	1250.00
JG-GP12M-2CN3	Through beam photoelectric metal body 12mm NPN NO+NC	10 Pcs	100 Pcs	1250.00
JG-GP12M-10DP3	Defuse photoelectric metal body 12mm PNP NO+NC	10 Pcs	100 Pcs	1000.00
JG-GP12M-10DN3	Defuse photoelectric metal body 12mm NPN NO + NC	10 Pcs	100 Pcs	1000.00
JG-GP18M-10(30)DP3	Defuse photoelectric metal body 18mm PNP NO+NC	10 Pcs	100 Pcs	1100.00
JG-GP10M-10(30)DN3	Defuse photoelectric metal body 18mm NPN NO + NC	10 Pcs	100 Pcs	1100.00
JG-GP18M-5CP3	Through beam photoelectric metal body 18mm PNP NO+NC	10 Pcs	100 Pcs	1500.00
JG-GP18M-5CN3	Through beam photoelectric metal body 18mm NPN NO+NC	10 Pcs	100 Pcs	1500.00
JG-GP18M-2SP3	Reflector photoelectric metal body 18mm PNP NO+NC	10 Pcs	100 Pcs	1100.00
JG-GP18M-2SN3	Reflector photoelectric metal body 18mm NPN NO+NC	10 Pcs	100 Pcs	1100.00
JG-GP18M-10(30)A3	Defuse photoelectric metal body 18mm AC NO+NC	10 Pcs	100 Pcs	1700.00
JG-GP18-5CP3	Throgh beamphotoelectric 18mm PNP NO+NC	10 Pcs	100 Pcs	1500.00
JG-GP18-5CN3	Throgh beamphotoelectric 18mm NPN NO+NC	10 Pcs	100 Pcs	1500.00
JG-GP18-10(30)DP3	Defuse photoelectric 18mm PNP NO+NC	10 Pcs	100 Pcs	925.00
JG-GP18-10(30)DN3	Defuse photoelectric 18mm NPN NO+NC	10 Pcs	100 Pcs	925.00
JG-GP18-10(30)A1	Defuse photoelectric 18mm AC NO	10 Pcs	100 Pcs	1600.00
JG-GP18-2SP3	Reflector photoelectric 18mm PNP NO+NC	10 Pcs	100 Pcs	1100.00
JG-GP18-2SN3	Reflector photoelectric 18mm NPN NO+NC	10 Pcs	100 Pcs	1100.00
JG-E3JK-DS30M1	Photoelectric sensor 2meter AC+DC	2 Pcs	50 Pcs	1300.00



**CONNECTORS TYPE SENSOR**

Model No.	Description	Primary Packaging	Carton Packaging	Price
JG-GI12-04P1-L	Inductive 12mm 4pin PNP NO	10 Pcs	100 Pcs	900.00
JG-GI12-04N1-L	Inductive 12mm 4pin NPN NO	10 Pcs	100 Pcs	900.00
JG-GI18-08P1-L	Inductive 18mm 4pin PNP NO	10 Pcs	100 Pcs	900.00
JG-GI18-08N1-L	Inductive 18mm 4pin NPN NO	10 Pcs	100 Pcs	900.00
JG-GI18-08A1-L	Inductive 18mm 4pin AC NO	10 Pcs	100 Pcs	900.00
JG-GI30-15P1-L	Inductive 30mm 4pin PNP NO	10 Pcs	100 Pcs	1625.00
JG-GI30-15A1-L	Inductive 30mm 4pin AC NO	10 Pcs	100 Pcs	1625.00







### CAPACITIVE SENSOR

Model No.	Description	Primary Packaging	Carton Packaging	Price
JG-GC12-06P3	12MM NON FLUSH PNP NO/NC	10 Pcs	100 Pcs	1050.00
JG-GC12-06N3	12MM NON FLUSH NPN NO/NC	10 Pcs	100 Pcs	1050.00
JG-GC18-08P3	18MM NON FLUSH PNP NO/NC	10 Pcs	100 Pcs	1050.00
JG-GC18-08N3	18MM NON FLUSH NPN NO/NC	10 Pcs	100 Pcs	1050.00
JG-GC18-08A1	18MM NON FLUSH AC NO	10 Pcs	100 Pcs	1250.00
JG-GC30-015P3	30MM NON FLUSH PNP NO/NC	10 Pcs	100 Pcs	1600.00
JG-GC30-15N3	30MM NON FLUSH NPN NO/NC	10 Pcs	100 Pcs	1600.00
JG-GC30-15A3	30MM NON FLUSH AC NO/NC	10 Pcs	100 Pcs	1750.00

Item	Rate
FUSE PULLER	300.00



MODEL NO.	TIMER & HOUR RELAYS	Rate
JG-HM 1	HOUR METER	500.00
JG-SUL181H	24 HOUR TIMER	900.00
JG-TH89	TIMER WITH BATTERY	1000.00



HSN 8536

### INSULATED FERRULES LUGS

CABLE MM <sup>2</sup>	SINGLE	Rs. PER PC.		CABLE MM <sup>2</sup>	SINGLE	Rs. PER PC.	
		TWIN	TWIN			TWIN	TWIN
0.5-L8	WHITE	0.35	0.80	2.5-L08	BLUE	0.65	1.30
0.5-L10		0.45	1.00	2.5-L10		0.75	1.70
0.5-L12		0.60	1.50	2.5-L12		1.10	2.00
0.75-L8	GREY	0.40	0.90	4.0-L10	GREY/YELLOW	1.00	2.00
0.75-L10		0.45	1.00	4.0-L12		1.20	2.50
0.75-L12		0.70	1.50	6.0-L10	GREEN	1.30	...
1.0-L8	RED	0.45	1.00	6.0-L12		1.60	4.00
1.0-L10		0.50	1.20	10.0-L12	BROWN	2.00	6.00
1.0-L12		0.80	1.60	16.0-L12		2.50	...
1.5-L8	BLACK/RED	0.60	1.10	25.0-L22		7.00	...
1.5-L10		0.70	1.40	35.0-L25		8.50	...
1.5-L12		0.80	1.70	50.0-L25		14.00	...

SPECIFIC COLOURS IN ALL SIZES AVAILABLE ON REQUEST

### WATERPROOF CONNECTOR

Model No.	Description	Primary Packaging	Carton Packaging	Price
JG-SP17D-2	Straight to Straight 10A	10 Pcs	100 Pcs	160
JG-SP17D-3	Straight to Straight 10A	10 Pcs	100 Pcs	185
JG-SP17D-4	Straight to Straight 5A	10 Pcs	100 Pcs	190
JG-SP17D-5	Straight to Straight 5A	10 Pcs	100 Pcs	195
JG-SP17D-7	Straight to Straight 5A	10 Pcs	100 Pcs	220
JG-SP17D-9	Straight To Panel Mount 10A	10 Pcs	100 Pcs	250
JG-SP17H-2	Straight To Panel Mount 10A	10 Pcs	100 Pcs	140
JG-SP17H-3	Straight To Panel Mount 5A	10 Pcs	100 Pcs	160
JG-SP17H-4	Straight To Panel Mount 5A	10 Pcs	100 Pcs	160
JG-SP17H-5	Straight To Panel Mount 5A	10 Pcs	100 Pcs	170
JG-SP17H-7	Straight To Panel Mount 5A	10 Pcs	100 Pcs	195
JG-SP17H-9	Straight To Panel Mount 5A	10 Pcs	100 Pcs	220



### WATERPROOF CONNECTOR

Model No.	Description	Primary Packaging	Carton Packaging	Price
JG-SP21D-2	Straight To Straight 30A	10 Pcs	100 Pcs	250
JG-SP21D-3	Straight To Straight 30A	10 Pcs	100 Pcs	270
JG-SP21D-4	Straight To Straight 30A	10 Pcs	100 Pcs	300
JG-SP21D-5	Straight To Straight 30A	10 Pcs	100 Pcs	320
JG-SP21D-5C	Straight To Straight 15A	10 Pcs	100 Pcs	320
JG-SP21D-7	Straight To Straight 15A	10 Pcs	100 Pcs	335
JG-SP21D-9	Straight To Straight 5A	10 Pcs	100 Pcs	345
JG-SP21D-12	Straight To Straight 5A	10 Pcs	100 Pcs	360
JG-SP21H-2	Straight To Panel Mount 30A	10 Pcs	100 Pcs	220
JG-SP21H-3	Straight To Panel Mount 30A	10 Pcs	100 Pcs	240
JG-SP21H-4	Straight To Panel Mount 30A	10 Pcs	100 Pcs	265
JG-SP21H-5	Straight To Panel Mount 30A	10 Pcs	100 Pcs	285
JG-SP21H-5C	Straight To Panel Mount 15A	10 Pcs	100 Pcs	285
JG-SP21H-7	Straight To Panel Mount 15A	10 Pcs	100 Pcs	300
JG-SP21H-9	Straight To Panel Mount 5A	10 Pcs	100 Pcs	290
JG-SP21H-12	Straight To Panel Mount 5A	10 Pcs	100 Pcs	325



### PVC INSULATED TERMINALS

Model No.	Description	Primary Packaging	Carton Packaging	Price
JG-FDD 1-250	PVC Insulated Female Terminals	1000 Pcs		
JG-FDD 2-250	PVC Insulated Female Terminals	1000 Pcs		
JG-FDD 5-250	PVC Insulated Female Terminals	1000 Pcs		
JG-FDFN2-250	PVC Insulated Female Terminals	1000 Pcs		
JG-FDFN1.25-250	PVC Insulated Female Terminals	1000 Pcs		
JG-MDFN1.25-250	PVC Insulated Male Terminals	1000 Pcs		
JG-MDFN2-250	PVC Insulated Male Terminals	1000 Pcs		



## MINI-TYPE SELF-ADJUSTABLE CRIMPING PLIER

### JG-HSC8 6-4A



- Self-adjust to the desired female size
- Female insertion on the side of the tool
- Multiple crimp profiles
- Burnished or chrome finish
- Specially hardened spring steel

**M.R.P**  
**850.00**

Crimping range	0.25-10mm
AWG	24-8AWG
Length	175mm
Weight	0.4/0.44Kg

### JG-HSC8 6-6

**M.R.P**  
**1500.00**

- Ferrule insertion on the side of the tool
- Self adjusting adaptation to the desired end sleeve (ferrule) size no wrong crimps caused by using the wrong die
- Fits all ferrules within the application range
- Chrome Vanadium electric steel in special quality, oil-hardened



### JG-HSC8 6-6A



## DUCT CUTTING TOOL

### JG-VSJ-110XC

#### PVC Wire Slot Cutting Toll PVC

**M.R.P**  
**3500**

- This toll can cut PVC trunking with a width less than 110mm
- The tool is equipped with a positioner that adjusts the cutting single to cut the slot into 45° or 90°
- The cutting blade is made of 8Cr 13MoV, which has high hardness sharp edge and smooth cutting and will not affect the passivation of the cutting edge due to must
- The parts of this tool are made of carbon steel with reasonable hardness and strength to ensure the durability of the pliers
- Ergonomically designed turidles are less pride to hand fatigue during work

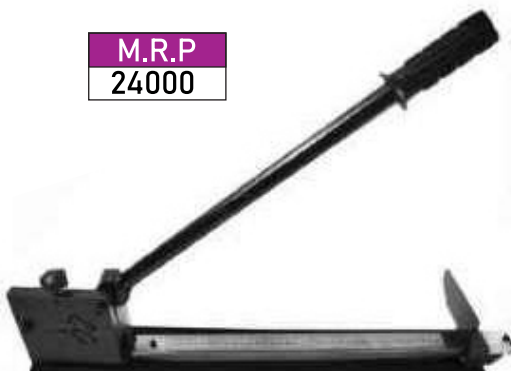


#### Maintenance instructions :

- Please keep the pliers clean and tidy
  - Apply lubricant to the active area every 10 or 300 times.
- Note : The parts of the pliers are made of steel and plastic PP, Please do not discard them. all materials can be recycled

<b>SV.030108</b>	
Cutting width	>110mm
Cutting angle	45°/90°*
Length	280mm
Weight	0.65kg

**M.R.P**  
**24000**



### Din Rail Cutter 2w with Gauge

Colour : Black  
Weight : 6 Kg  
Size : 60.5 \* 9.5 \* 66 cm (LxWxH)  
Maximum Cutting thickness : <1.2 mm  
Cutting Size : 35 mm x 7.5 mm and 35 mm x 6.5 mm

Cutting Size 7.5 \* mm and 6.5 \* 35 mm  
Maximum Cutting Thickness <1.2 mm  
Product Size Packaging Weight  
62 x 9.1 \* 66 cm 6 kg

**HYDRAULIC CRIMPING TOOLS**

**JG-YQK-70**

Hexagonal mould is adopted to ensure tight press connection, good electric conduction and non-easy shedding



**M.R.P**  
**4000**

Range of application	8-70mm
Crimping force	blom
Stoke	10mm
Standard	8-38, 60-70mm : 14.22, 38-80, 70mm
Weight	2.5kg
Packaging Size	545x130x235mm
Package	Plastic case

**JG-YQK-300A**

Hexagonal mould is adopted to ensure tight press connection, good electric conduction and non-easy shedding



**M.R.P**  
**4200**

Range of application	10-185mm(Ai Tenninal) 16-300mm © Tenninal
Crimping force	bloom
Stoke	16mm
Standard	16,25,35,50,70,95,120,150,185,240,300mm
Weight	6.4kg
Packaging Size	755x130x230mm
Package	Plastic case

**JG-YQK-400**

Hexagonal mould is adopted to ensure tight press connection, good electric conduction and non-easy shedding



**M.R.P**  
**6500**

Range of application	16-400mm
Crimping force	16T
Crimping type	Hexagon Crimping
Stoke	20mm
Length	approx 500mm
Weight	approx 6.80 kg
Package	steel case
Weight of Case	approx 3.30 kg
Crimping Dies	16,25,35,50,70,95,120,150,185,240,300,400 mm

**JG-KYQ-400**



**M.R.P**  
**10000**

Range of application	16-400mm
Crimping force	16T
Crimping type	Hexagon Crimping
Stoke	20mm
Length	approx 500mm
Weight	approx 6.50 kg
Package	steel case
Weight of Case	approx 3.30 kg
Crimping Dies	50,70,95,120,150,185,240,300,400 mm



**FALSE CEILING TYPE**



**CEILING TYPE**

**\* 2 IN 1 TYPE BOTH CEILING AND FALSE CEILING (PANEL MOUNTING)**

**FEATURES**

- DETECTION ANGLE : 360
- DETECTION RANGE : 8M (<24 C)
- TIME SETTING : 10SEC - 7 MIN (ADJUSTABLE)
- POWER SOURCE : 220-240V AC 50/60HZ
- RATED LOAD : MAX 800W
- AMBIENT LIGHT : <10LUX~2000LUX (ADJUSTABLE)
- DIMENSION : 93MM X 35.5 MM

**PRICE**

**700.00**

**PLUG SOCKET BOX**

BOX SIZE	PRICE
UNIVERSAL	1650.00










**SURGE PROTECTION DEVICE (SPD)**

DESCRIPTION	PRICE
JG-C40*2P-230V AC	900.00
JG-C40*4P-230V AC	1500.00
JG-PV-1000*2P-1000V DC	900.00
JG-PV-1000*4P-1000V DC	2400.00





### JIGO THERMOSTATS AND HEATERS

MODEL	IMAGE	PRICE
Thermostat KT0011		150.00
Thermostat KTS011		170.00
Thermostat ZR011		250.00
Heater HG140, 15Watts 230VAC		330.00
Heater HG140, 30Watts 230VAC		350.00
Heater HG140, 50Watts 230VAC		380.00
Heater HG140, 100Watts 230VAC		550.00
Heater HG140, 5Watts 230VAC		300.00
Heater HG140, 9Watts 230VAC		320.00
LED light, LED025, 5Watts, 48V to 265V AC/DC MAGNETIC		800.00
SF095 Plastic DIN Rail		30.00

### WATER-PROOF CONNETOR'S

PICTURE	MODEL	Price
	YT M20-2	200.00
	YT M20-3	240.00
	YT M20-4	270.00
	YTN M25-5	380.00
	YTY M-25-5	430.00
	YTT M20-2	450.00
	YTT M20-3	470.00
	YTT M25-5	510.00
	YTS M20-2	720.00
	YTS M20-3	790.00
<b>Water Proof Boxes</b>		
	M686-2	400.00
	M686-3	450.00
	M686-4A	500.00
	M686-4B	520.00
	M686-5	610.00

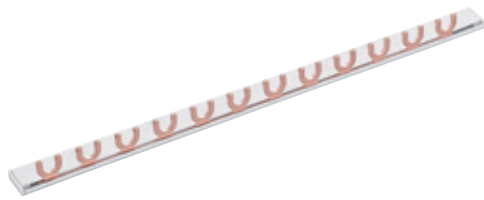
### SOLAR CONNECTORS

Description	Rs.
MC-4	50.00
MC-4-Y1-2	85.00
MC-4-Y1-3	140.00
TI -2	85.00
TI- 3	140.00
TI-4	190.00



**COPPER COLOR**

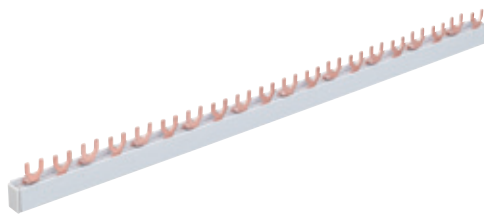
**SILVER COLOR**



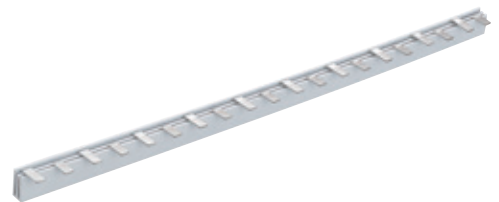
BUSBAR JG -1P



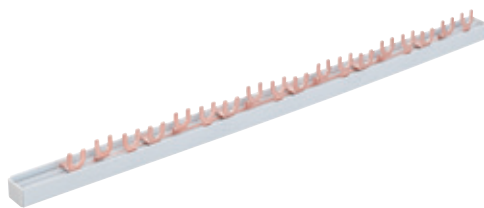
BUSBAR JG -1P



BUSBAR JG-2P



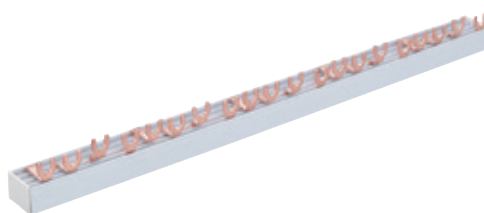
BUSBAR JG-2P



BUSBAR JG-3P



BUSBAR JG-3P




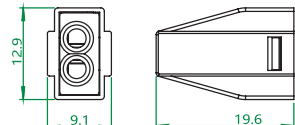

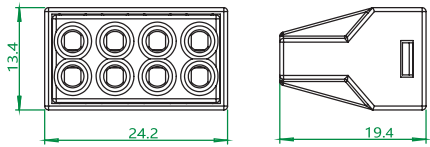

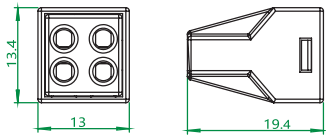

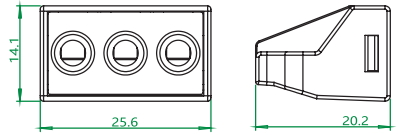

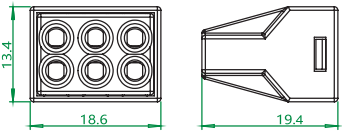

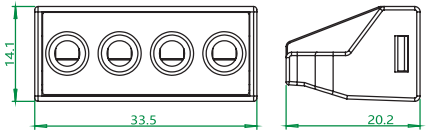
BUSBAR JG-4P




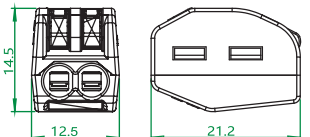

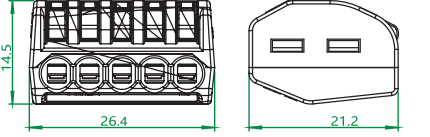

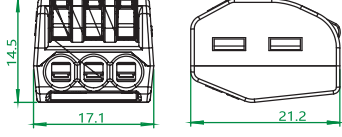

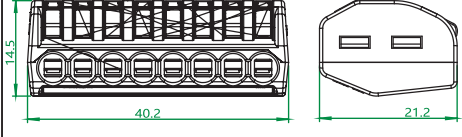

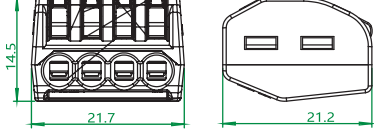
BUSBAR JG-4P

COPPER COLOR			SILVER COLOR			END COVER	
POLE	PIN TYPE	FORK TYPE	POLE	PIN TYPE	FORK TYPE		
JG-1P	1250/-	1375/-	JG-1P	1350/-	1425/-	JG-1P	10/-
JG-2P	2350/-	2500/-	JG-2P	2450/-	2600/-	JG-2P	15/-
JG-3P	3300/-	3550/-	JG-3P	3400/-	3650/-	JG-3P	20/-
JG-4P	4500/-	4700/-	JG-4P	4600/-	4800/-	JG-4P	25/-


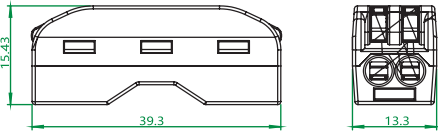

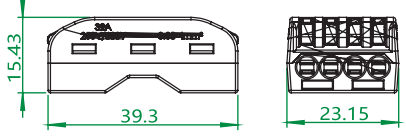

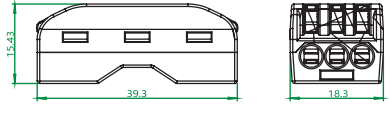

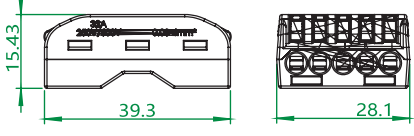
**PCT-10 Series**

<p>₹ 15/-</p>  <p>PCT-102</p>	 <p>12.9 9.1 19.6</p>	<p>₹ 32/-</p>  <p>PCT-108</p>	 <p>13.4 24.2 19.4</p>
<p>₹ 16/-</p>  <p>PCT-104</p>	 <p>13.4 13 19.4</p>	<p>₹ 16/-</p>  <p>PCT-103D</p>	 <p>14.1 25.6 20.2</p>
<p>₹ 25/-</p>  <p>PCT-106</p>	 <p>13.4 18.6 19.4</p>	<p>₹ 23/-</p>  <p>PCT-104D</p>	 <p>14.1 33.5 20.2</p>


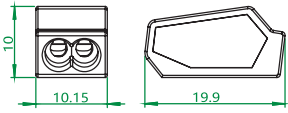

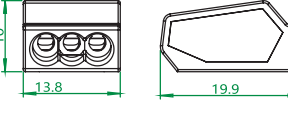
**PCT-2 Series**


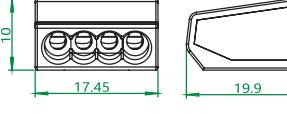

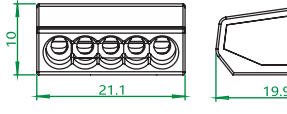
<p>₹ 18/-</p>  <p>PCT-212</p>	 <p>14.5 12.5 21.2</p>	<p>₹ 35/-</p>  <p>PCT-215</p>	 <p>14.5 26.4 21.2</p>
<p>₹ 23/-</p>  <p>PCT-213</p>	 <p>14.5 17.1 21.2</p>	<p>₹ 45/-</p>  <p>PCT-218</p>	 <p>14.5 40.2 21.2</p>
<p>₹ 28/-</p>  <p>PCT-214</p>	 <p>14.5 21.7 21.2</p>		

**PCT-41 Series**


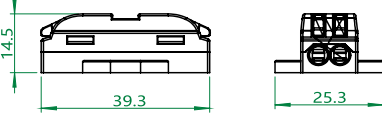

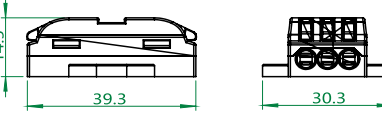
<p>₹ 35/-</p>  <p>PCT-222</p>	 <p>15.43 39.3 13.3</p>	<p>₹ 75/-</p>  <p>PCT-224</p>	 <p>15.43 39.3 23.15</p>
<p>₹ 48/-</p>  <p>PCT-223</p>	 <p>15.43 39.3 18.3</p>	<p>₹ 93/-</p>  <p>PCT-225</p>	 <p>15.43 39.3 28.1</p>


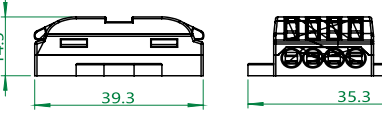

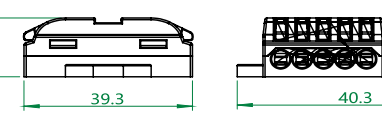
**PCT-25 Series**


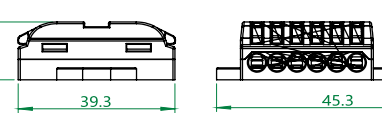

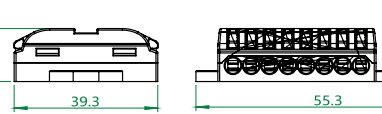
<p>₹ 25/-</p>  <p>PCT-252</p>	 <p>10 10.15 19.9</p>
<p>₹ 30/-</p>  <p>PCT-253</p>	 <p>10 13.8 19.9</p>


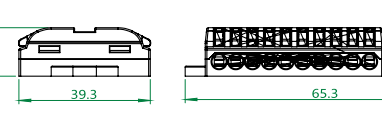
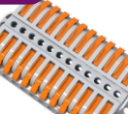
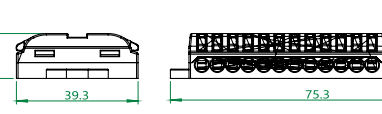
<p>₹ 35/-</p>  <p>PCT-254</p>	 <p>10 17.45 19.9</p>
<p>₹ 40/-</p>  <p>PCT-255</p>	 <p>10 21.1 19.9</p>

**PCT223 Series**


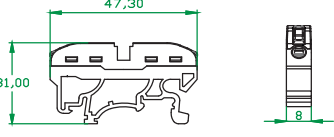

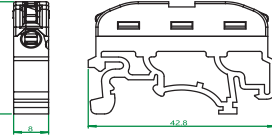

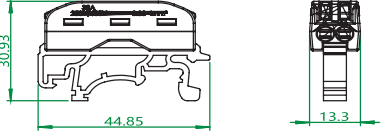
<p>₹ 70/-</p>  <p>PCT-223-2P</p>	 <p>14.5 39.3 25.3</p>
<p>₹ 90/-</p>  <p>PCT-223-3P</p>	 <p>14.5 39.3 30.3</p>


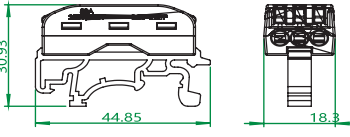

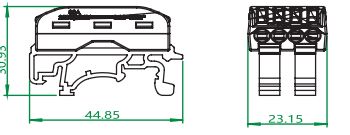

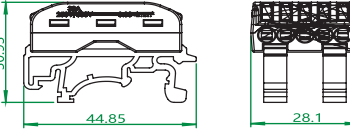
<p>₹ 125/-</p>  <p>PCT-223-4P</p>	 <p>14.5 39.3 35.3</p>
<p>₹ 150/-</p>  <p>PCT-223-5P</p>	 <p>14.5 39.3 40.3</p>

<p>₹ 220/-</p>  <p>PCT-223-6P</p>	 <p>14.5 39.3 45.3</p>
<p>₹ 280/-</p>  <p>PCT-223-8P</p>	 <p>14.5 39.3 55.3</p>


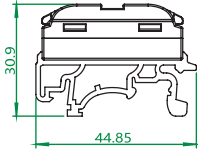

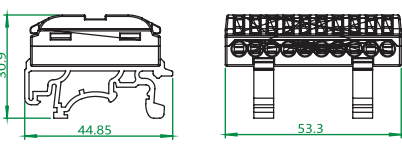

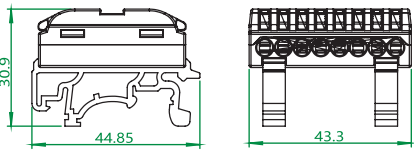

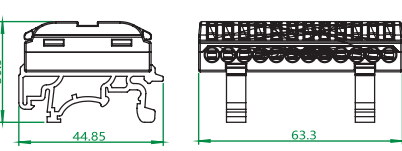
<p>₹ 330/-</p>  <p>PCT-223-10P</p>	 <p>14.5 39.3 65.3</p>
<p>₹ 370/-</p>  <p>PCT-223-12P</p>	 <p>14.5 39.3 75.3</p>

**PCT-2 Series**


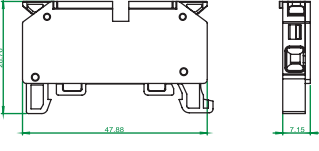

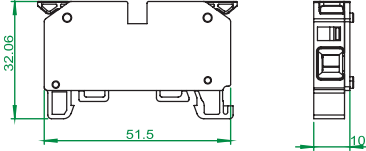

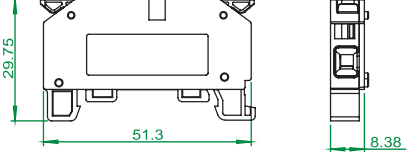

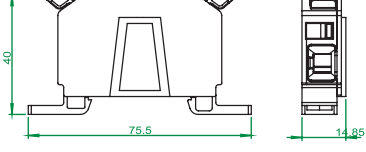
<p>₹ 43/-</p>  <p>PCT-211D</p>	 <p>47.30 31.00 8</p>
<p>₹ 43/-</p>  <p>PCT-211</p>	 <p>30.5 42.6 8</p>
<p>₹ 85/-</p>  <p>PCT-222D</p>	 <p>30.93 44.85 13.3</p>

<p>₹ 95/-</p>  <p>PCT-223D</p>	 <p>30.93 44.85 18.3</p>
<p>₹ 115/-</p>  <p>PCT-224D</p>	 <p>30.93 44.85 23.15</p>
<p>₹ 150/-</p>  <p>PCT-225D</p>	 <p>30.93 44.85 28.1</p>








## LT-22 Series

<p>₹ 225/-</p>  <p>LT-223-6D</p>	 <p>30.9 44.85 33.3</p>	<p>₹ 340/-</p>  <p>LT-223-10D</p>	 <p>30.9 44.85 53.3</p>
<p>₹ 285/-</p>  <p>LT-223-8D</p>	 <p>30.9 44.85 43.3</p>	<p>₹ 380/-</p>  <p>LT-223-12D</p>	 <p>30.9 44.85 63.3</p>

## LT-Series

<p>₹ 60/-</p>  <p>LT-2.5</p>	 <p>28.76 47.88 7.15</p>	<p>₹ 135/-</p>  <p>LT-6</p>	 <p>32.06 51.5 10</p>
<p>₹ 80/-</p>  <p>LT-4</p>	 <p>29.75 51.3 8.38</p>	<p>₹ 260/-</p>  <p>LT-25</p>	 <p>40 75.5 14.85</p>

## Cage spring universal connector


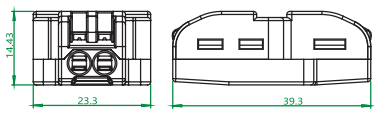

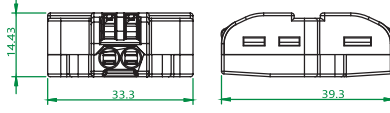

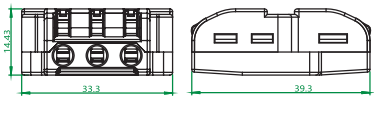

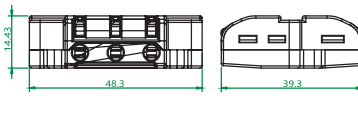
<p>₹ 40/-</p> <p>PCT-221A (凹Concave)</p>  <p>Specification size: 40 x 8 x 14.5mm (LxWxH)</p>	<p>₹ 40/-</p> <p>PCT-221T (凸Convex)</p>  <p>Specification size: 40 x 8 x 14.5mm (LxWxH)</p>	<p>₹ 40/-</p> <p>PCT-221 (Can be spliced)</p>  <p>Specification size: 40 x 8 x 14.5mm (LxWxH)</p>	
<p>₹ 60/-</p> <p>FD-12 (Can be spliced)</p>  <p>Specification size: 39 x 13 x 14.5mm (LxWxH)</p>	<p>₹ 90/-</p> <p>FD-13 (Can be spliced)</p>  <p>Specification size: 39 x 13 x 14.5mm (LxWxH)</p>	<p>₹ 110/-</p> <p>PCT-201 (Dark gray) Lamp Connector</p>  <p>Specification size: 8.5 x 42 x 15.5mm (LxWxH)</p>	<p>₹ 36/-</p> <p>JG-PCT-5221D</p>  <p>Specification size: 42 x 8 x 10.5mm (LxWxH)</p>


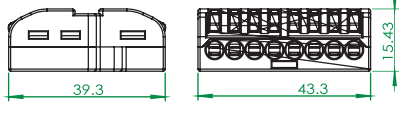

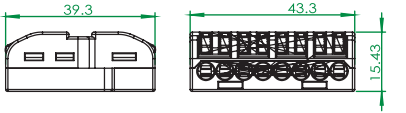

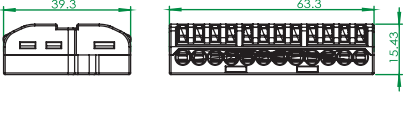


## LT-Series

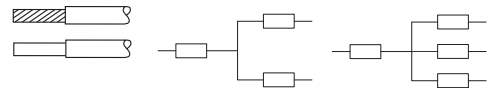


## LT-20 Series


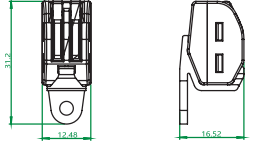

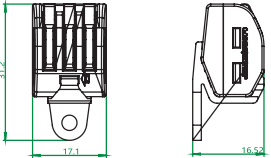

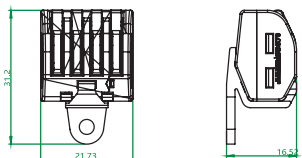
<p>₹ 63/-</p>  <p>LT-422</p>	
<p>₹ 125/-</p>  <p>LT-623</p>	
<p>₹ 140/-</p>  <p>LT-633</p>	
<p>₹ 190/-</p>  <p>LT-933</p>	


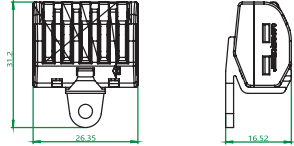

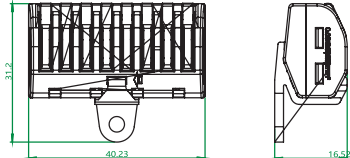
<p>₹ 235/-</p>  <p>LT2-8</p>	
<p>₹ 260/-</p>  <p>LT4-8</p>	
<p>₹ 310/-</p>  <p>LT3-12</p>	

0. 4~2.5mm<sup>2</sup>  
0. 5~4mm<sup>2</sup>  
250V/4kV/32A

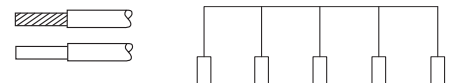


## PCT-21 D Series


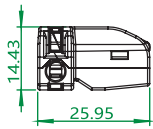
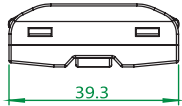

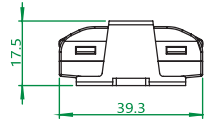
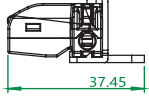
<p>₹ 29/-</p>  <p>PCT-212 D</p>	
<p>₹ 38/-</p>  <p>PCT-213 D</p>	
<p>₹ 45/-</p>  <p>PCT-214 D</p>	

<p>₹ 53/-</p>  <p>PCT-215 D</p>	
<p>₹ 80/-</p>  <p>PCT-218 D</p>	


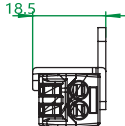
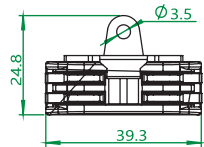

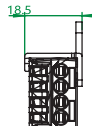
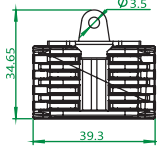

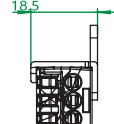
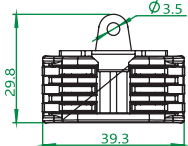

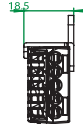
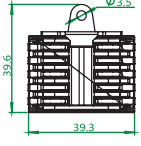
0. 4~2.5mm<sup>2</sup>  
0. 5~4mm<sup>2</sup>  
250V/4kV/32A




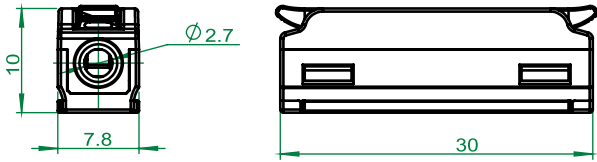

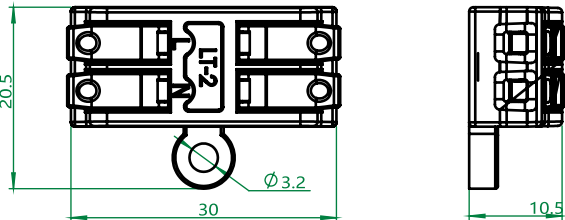

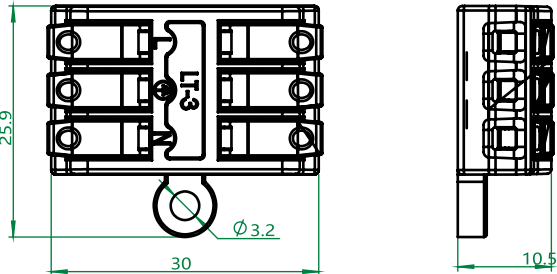
## PCT-41 Series

<p>₹ 75/-</p>  <p>PCT-112</p>			<p>₹ 85/-</p>  <p>PCT-112D</p>		
--	---	---	---	---	---

## PCT-222 C Series

<p>₹ 68/-</p>  <p>PCT-222 C</p>			<p>₹ 105/-</p>  <p>PCT-224 C</p>		
<p>₹ 93/-</p>  <p>PCT-223 C</p>			<p>₹ 140/-</p>  <p>PCT-225 C</p>		

## LT-Series

<p>₹ 50/-</p>  <p>LT-1</p>	
<p>₹ 65/-</p>  <p>LT-2</p>	
<p>₹ 95/-</p>  <p>LT-3</p>	



**First Step**  
strip the wire 11-12mm



**Second Step**  
Dismantle the orange operation handle straight and plug the wire into the hole.


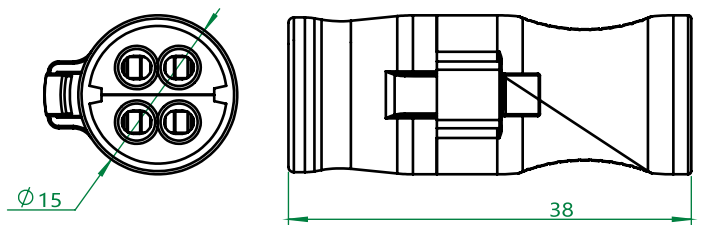

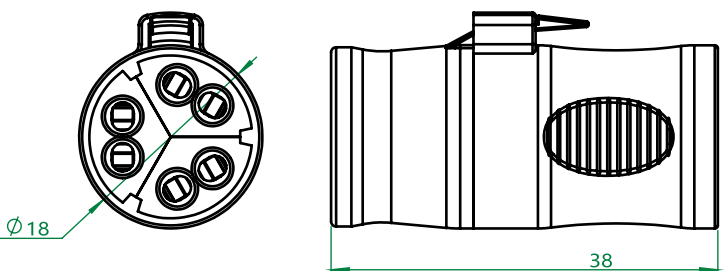


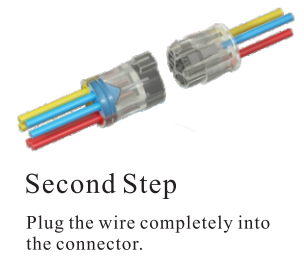
**Third Step**  
Push the lever horizontally to clip the wire for brake

**LT-Series**


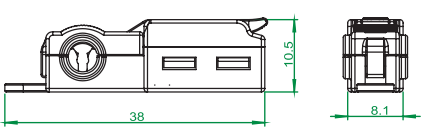

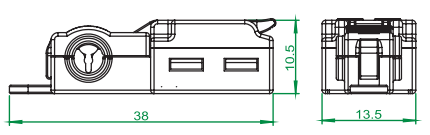
<p>₹ 115/-</p>  <p>LT-22</p>	<p>₹ 160/-</p>  <p>LT-33</p>	<p>₹ 210/-</p>  <p>LT-24</p>	<p>₹ 260/-</p>  <p>LT-36</p>
---	---	--	---

**LT-Series**


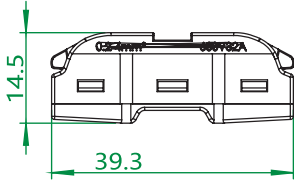
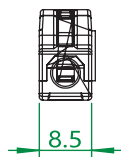
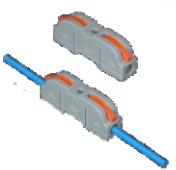


<p>₹ 160/-</p>  <p>LT-724</p>	 <p>Ø 15</p> <p>38</p>
<p>₹ 260/-</p>  <p>LT-736</p>	 <p>Ø 18</p> <p>38</p>




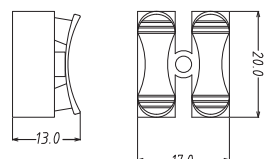

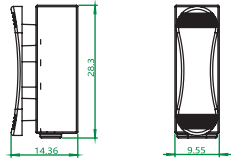

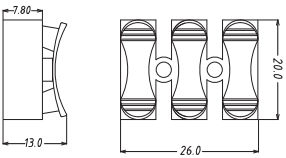

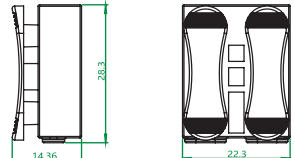

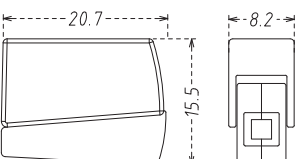

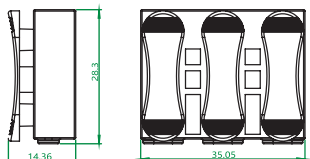
**LT-T Series**

<p>₹ 65/-</p>  <p>LT-T1 Y</p>	 <p>10.5</p> <p>38</p> <p>8.1</p>	<p>₹ 95/-</p>  <p>LT-T2 Y</p>	 <p>10.5</p> <p>38</p> <p>13.5</p>
--	--	---	---

## LT-2 Series

<p>₹ 40/-</p>  <p>LT-211</p>		
		

## PCT-10 Series

<p>₹ 6/-</p>  <p>CH-2</p>		<p>₹ 18/-</p>  <p>CH-1(10A)</p>	
<p>₹ 9/-</p>  <p>CH-3</p>		<p>₹ 25/-</p>  <p>CH-2(10A)</p>	
<p>₹ 55/-</p>  <p>PCT-111</p>		<p>₹ 30/-</p>  <p>CH-3(10A)</p>	

## ACCESSORIES

<p>₹ 20/-</p>  <p>T1</p>	<p>₹ 22/-</p>  <p>T2</p>	<p>₹ 25/-</p>  <p>T3</p>
---	---	--

Series

 <p>CE2</p>	 <p>CE5</p>	<p>₹ 1.6/-</p>  <p>P1</p>	<p>₹ 2.8/-</p>  <p>P2</p>
<p>₹ 3.5/-</p>  <p>P3</p>	<p>₹ 4.9/-</p>  <p>P4</p>	<p>₹ 8.5/-</p>  <p>P6</p>	



## DIN RAIL MULTI-FUNCTION DISPLAY METER

**JG-N52-2066**

**M.R.P.**

**3500/-**

### Technical Parameter



Accuracy	1%+2 words
Range	AC voltage: AC 40.0-300.0V or AC 200.0-450.0V(You should select one type of the meter in your order) AC current: 0.1-99.9A (You should order current transformer when current is higher than 100A independent) Frequency:45.0Hz-65.0Hz Power Factor 0.00-1.00PF
Speed	2 times per second
Size	54*80*64 mm
Installation	Din-rail

**JG-N48-2058**

**M.R.P.**

**3000/-**

### Technical Parameter



Accuracy	1%
Display mode	0.5 inch LED digital tube
Range	AC voltage 80-300V, 200-450V (You should select the one of measuring range in your order) AC current 0.1-99.9A (You Should Deder current transformer when current & higher than 100A independent)
Speed	2 per second
Size	54*80*84 mm
Installation	Din-rail

### Application Method

1. According to the wiring diagram connect the plug two-wire of the current transformer to transformer the input on meter, make the current return conductor across the hold which in the middle of the current transformed
2. Connect the voltage measurement to the voltage input terminal of the meter. Then turn on and measure the voltage to start to read the measure result.
3. The electric energy reset button is on the right-bottom of the meter, you can press the button with a needle last for.



## MULTI-FUNCTION DISPLAY METER OVERVOLTAGE AND UNDERVOLTAGE PROTECTOR



**JG-NP2-V 63A**

**M.R.P.**

**₹ 2200/-**

### Technical Data

Rated supply voltage	AC 220V	Operation voltage range	AC 80V~350V
Rated frequency	50/60Hz	Overvoltage(>U)setting Range	230~300V
Undervoltage(>U)setting Range	210~140V	Rated Current	40/63A(subject to product label)
>U And <U Trip Delay	0.5S	Reset/Start Delay	1~600S
Voltage measurement accuracy	2%(Not exceeding 2% of the overall range)	Rated Insulation Voltage	400V
Output contact	1NO	Electrical life	10 <sup>6</sup>
Mechanical life	10 <sup>6</sup>	Protection Degvree	IP20
Pollution Degree	3	Altitude	≤2000m
Operatintg temperature	-50C ~ 55C	Humidity	≤50%at40 C (without condensation)
Storage temperature	-30C ~ 70C		

### Default Setting

Technical Parameter	Setting range	Step	Factory Setting
Over-Voltage Protection Value	230~300V	1V	280V
Under-Voltage Protection Value	210~140V	1V	160V
Recovery delay time	1~600s	1s	5s

## OVERCURRENT AND UNDER CURRENT PROTECTOR



**JG-NP2-A 63A**

**M.R.P.**

**₹ 2300/-**

### Technical Data

Rated supply voltage	AC 220V	Operation voltage range	AC 80V~350V
Rated frequency	50/60Hz	Electric current setting range	1~40/63A
Rated Current	40/63A(subject to product label)	>U And <U Trip Delay	0.5S
Reset/Start Delay	1~600S	Voltage measurement accuracy	1%(Not exceeding 2% of the overall range)
Rated Insulation Voltage	400V	Output contact	1NO
Electrical life	10 <sup>6</sup>	Mechanical life	10 <sup>6</sup>
Protection Degvree	IP20	Pollution Degree	3
Altitude	≤2000m	Operatintg temperature	-50C ~ 55C
Humidity	≤50%at40 C (without condensation)	Storage temperature	-30C ~ 70C

### Default Setting

Technical Parameter	Setting range	Step	Factory Setting
Over-Current protection value	1~40/63A	0.1A	40/63A
Recovery delay time	1~600s	1S	5S
Continuous overcurrent protect times	A01~A20/oFF	A01	oFF

## OVER AND UNDER VOLTAGE + CURRENT PROTECTOR



**JG-NP2-VA 63A**

**M.R.P.**

**₹ 2400/-**

### Technical Data

Rated supply voltage	AC 220V	Operation voltage range	AC 80V~400V(single phase)
Rated frequency	50/60Hz	Electric current(>A) setting range	1~40/63A
Overvoltage(>U)setting Range	230~300V	Undervoltage(>U)setting Range	210~140V
Rated Current	40/63A(subject to product label)	>U And <U Trip Delay	0.1~30S
Reset/Start Delay	1~500S	Voltage measurement accuracy	2%(Not exceeding 2% of the overall range)
Rated Insulation Voltage	400V	Output contact	1NO
Electrical life	10 <sup>6</sup>	Mechanical life	10 <sup>6</sup>
Protection Degvree	IP20	Pollution Degree	3
Altitude	≤2000m	Operatintg temperature	-50C ~ 55C
Humidity	≤50%at40 C (without condensation)	Storage temperature	-30C ~ 70C

## SINGLE-FUNCTION TIME RELAY

### General

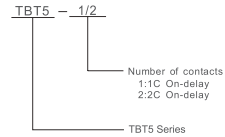
#### Applications

- TBT5 Single function time relay has the advantages of affordable price, simplicity and easy operation.
- Time relay can be used for electrical appliances, control of lights, heating, motors, pumps, and fans etc.

#### Function Features

- Comfortable and single function time-range can be set by front panel.
- Multi input voltage AC/DC 24-240V is available.
- Relay status is indicated by LED.
- 1-MODULE, DIN rail mounting.

#### Model and connotation



TBT5-1

M.R.P.  
₹ 1300/-

TBT5-2

M.R.P.  
₹ 1450/-

## MULTI-FUNCTION TIME RELAY

### General

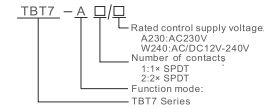
#### Applications

- Multifunction time relay can be used for electrical appliances, control of lights, heating, motors, pumps and fans (10 functions, 10 time ranges, multi-voltage).

#### Function Features

- 10 functions: - 5 time functions controlled by supply voltage - 4 time functions controlled by control input - 1 function of latching relay
- Comfortable and well-arranged function and time-range setting by rotary switches
- Time scale 0.1 s - 10 days divided into 10 ranges.
- Relay status is indicated by LED.
- 1-MODULE, DIN rail mounting.

#### Model and connotation



TBT7-A1

M.R.P.  
₹ 1950/-

## MULTI-FUNCTION TIME RELAY

### General

#### Applications

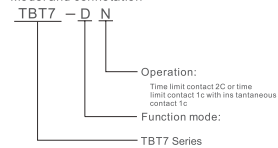
- TBT7-DN multifunction time relay have 6 kinds of time delay functions, wide time range from 0.05Sec-100 hours.

- Multifunction time relay can be used for electrical appliances, control of lights, heating, motors, pumps, and fans etc.

#### Function Features

- Comfortable and well-arranged function and Wide time-range 0.1s-100Hours, 6 functions.
- Can choose multi input voltage AC/DC24-240V.
- Relay status is indicated by LED.
- 1-MODULE, DIN rail mounting.

#### Model and connotation



TBT7-DN

M.R.P.  
₹ 2150/-

## ASYMMETRIC CYCLER

### General

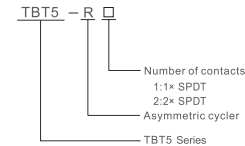
#### Applications

- TBT5-R is an off twin timer that is used to set the switching time of devices so that they can work periodically. It can be used for industrial equipment, lighting control, heating control, etc.

#### Function Features

- Different delay time for on and off can be set separately.
- It works from 24-240VAC/DC.
- Relay status is indicated by the LED indicator.
- One module, 35mm din rail mounting.

#### Model and connotation



TBT5-R2

M.R.P.  
₹ 1750/-

# DIGITAL MULTI-FUNCTION TIME RELAY

### General

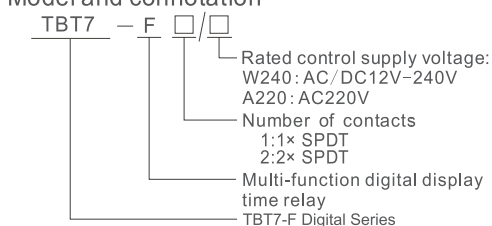
#### Applications

- Multi-functional time relay can be used for industrial equipment, lighting control, heating element control, motor and fan control, with 20 delay modes, with a delay range of 0.1-99 days

#### Function Features

- 20 delay modes: -5 delay modes controlled by power supply - 13 delay modes controlled by signal - ON, OFF mode
- Ultra-wide delay range, 0.1-99 days can be set.
- With AC/DC12V-240V ultra-wide working voltage
- The working status of the relay is indicated by the LED indicator
- Ultra-small volume, only 18mm wide, 35mm din rail installation

#### Model and connotation



TBT7-F1

M.R.P.  
₹ 2400/-



TBT7-F2

M.R.P.  
₹ 2750/-

## AG-Plastic waterproof box

- Using brand-new ABS material, suitable for outdoor special occasions such as waterproof, dustproof, and anti-corrosion
- Compliant with standards: RoHS, CE, IP67, IK08
- Complete specifications, easy installation, free custom opening
- Two options of gray cover and transparent cover, other colors can be customized for large quantities

AG101007  
100x100x75 mm

₹ 575/-



AG101010  
100x100x100 mm

₹ 650/-



AG152013  
200x150x130 mm

₹ 1150/-



AG202010  
200x200x100 mm

₹ 1275/-



AG202013  
200x200x130 mm

₹ 1375/-



AG250808  
250x80x85 mm

₹ 850/-



AG281913  
280x190x130 mm

₹ 2150/-



# KG Series

## Full-plastic sealed box

- It is applicable for special waterproof, dustproof and corrosion-proof locations
- Executive standard: IEC60529, EN 60309, IP67
- Holes can be opened at will according to user needs, complete specifications, easy to install



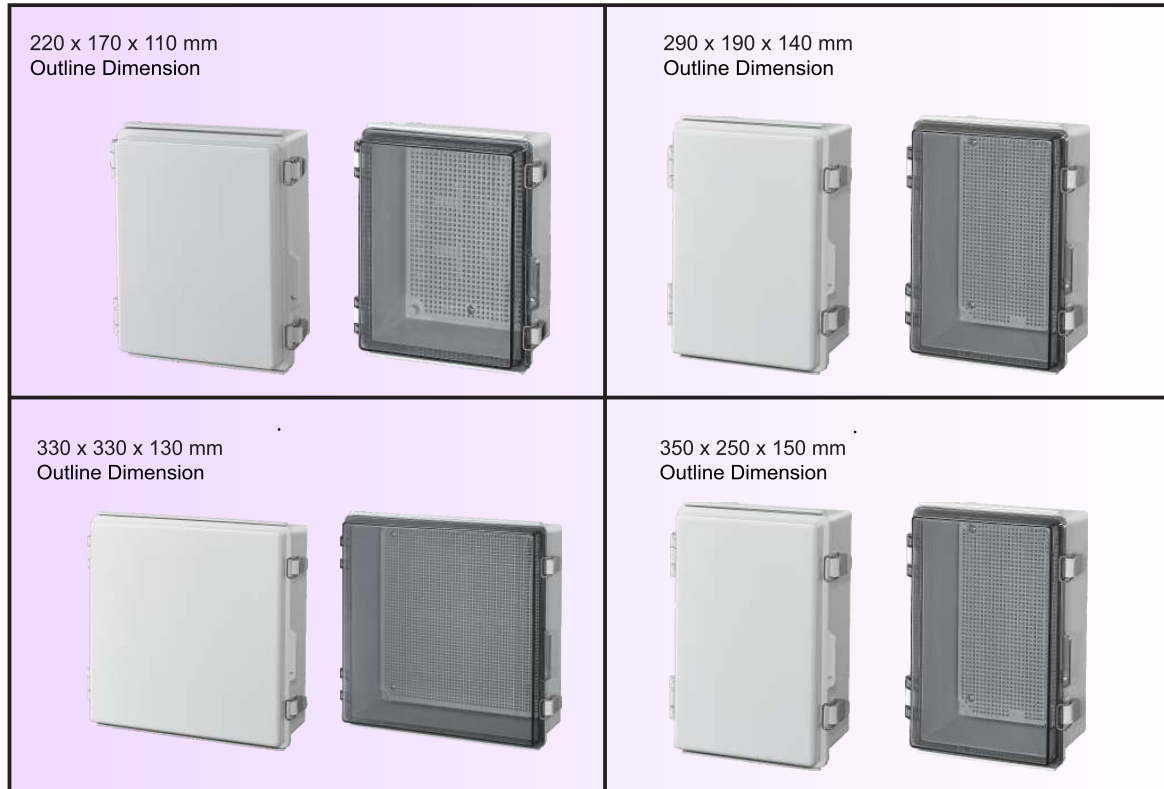
KG SERIES	GRAY	TP	TP + PLATE
100x150x70	1150/-		
100x200x70	1300/-		
150x150x90	1700/-		
300x200x170	4850/-	6250/-	7750/-
400x300x170	6300/-	7800/-	9800/-
500x400x200	14000/-	16500/-	19000/-
600x500x220	19000/-	21500/-	26000/-
800x600x250	40000/-	48000/-	52000/-



# BG Series

## Stainless steel hinge type electrical box New professional socket box

- It is applicable for special waterproof, dustproof and corrosion-proof locations
- Executive standard: IEC60529、EN 60309、IP67
- Holes can be opened at will according to user needs, complete specifications, easy to install



BG SERIES	GRAY	TP
150x100x70	1150/-	
150x150x90	1550/-	1800/-
200x100x70	1350/-	
200x100x110	1550/-	1900/-
220x170x110	2500/-	2900/-
290x190x140	4000/-	
330x330x130	6000/-	7000/-
350x250x150	6000/-	7000/-

# Transparent contact protective window hood

- It is applicable for special waterproof, dustproof and corrosion-proof locations.
- Executive standard : IEC60529, En60309, IP67



# New professional socket box

- It is applicable for special waterproof, dustproof and corrosion-proof locations
- Executive standard: IEC60529、EN 60309、IP67
- It is applicable for special waterproof, dustproof and corrosion-proof locations.
- Executive standard: IEC60529、EN 60309、IP67.



HS261714  
₹ 3500/-

Hs261714  
(With Handle)  
₹ 3650/-

HS333317  
₹ 8500/-

HS283815  
₹ 8500/-

HS334317-2  
₹ 13000/-

Hs335317  
₹ 14800/-

HS-340 X 220 X 150  
₹ 5500/-



HS-400 X 300 X 160  
₹ 9500/-



HS-520 X 300 X 160  
₹ 13000/-



HS-460 X 270 X 160  
₹ 10000/-



HS-540 X 300 X 160  
₹ 15000/-



HS-680 X 500 X 200  
₹ 26000/-



HS-385 X 275 X 145  
₹ 3100/-



# Waterproof distribution box

- It is applicable for special waterproof, dustproof and corrosion-proof locations
- Executive standard: IEC60529、EN 60309、IP65

HA4



HA8



HA12



HA18



HA24





# SHPN Series

## Waterproof distribution box

- It is applicable for special waterproof, dustproof and corrosion-proof locations
- Executive standard: IEC60529、EN 60309、IP65

### HS-Waterproof distribution box



### HS-Waterproof distribution box



# Waterproof distribution box

- It is applicable for special waterproof, dustproof and corrosion-proof locations
- Executive standard: IEC60529、EN 60309、IP65



**SANJAY**  
electrical

## House of Switchgear, Control Panel Accessories, Wires & Cables

Pittale Apartment, First Floor, 527 Budhwar Peth,  
Tapkir Galli, Pune - 411002.  
☎ : 24456774, 24491816, 66029641 / 642.  
M : 7875758405 / 08. 7875758265 / 7875758239  
Email : sales@sanjayelectricalspune.com  
● accounts@sanjayelectricalspune.com  
www.sanjayelectricalspune.com

### TERMS & CONDITIONS :

- PRICES ARE SUBJECT TO CHANGE WITHOUT ANY PRIOR NOTICE.
- GST EXTRA AS APPLICABLE
- GOODS SOLD WILL NOT BE TAKEN BACK
- THIS PRICE LIST CANCELS ALL OUR PREVIOUS PRICE LISTS.
- SUBJECT TO PUNE JURISDICTION ONLY.